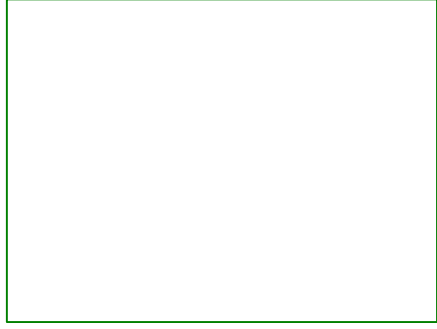


CAP_LHS

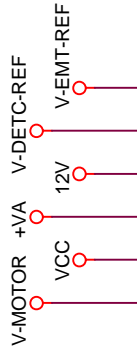


CAP_LHS

CAP_RHS

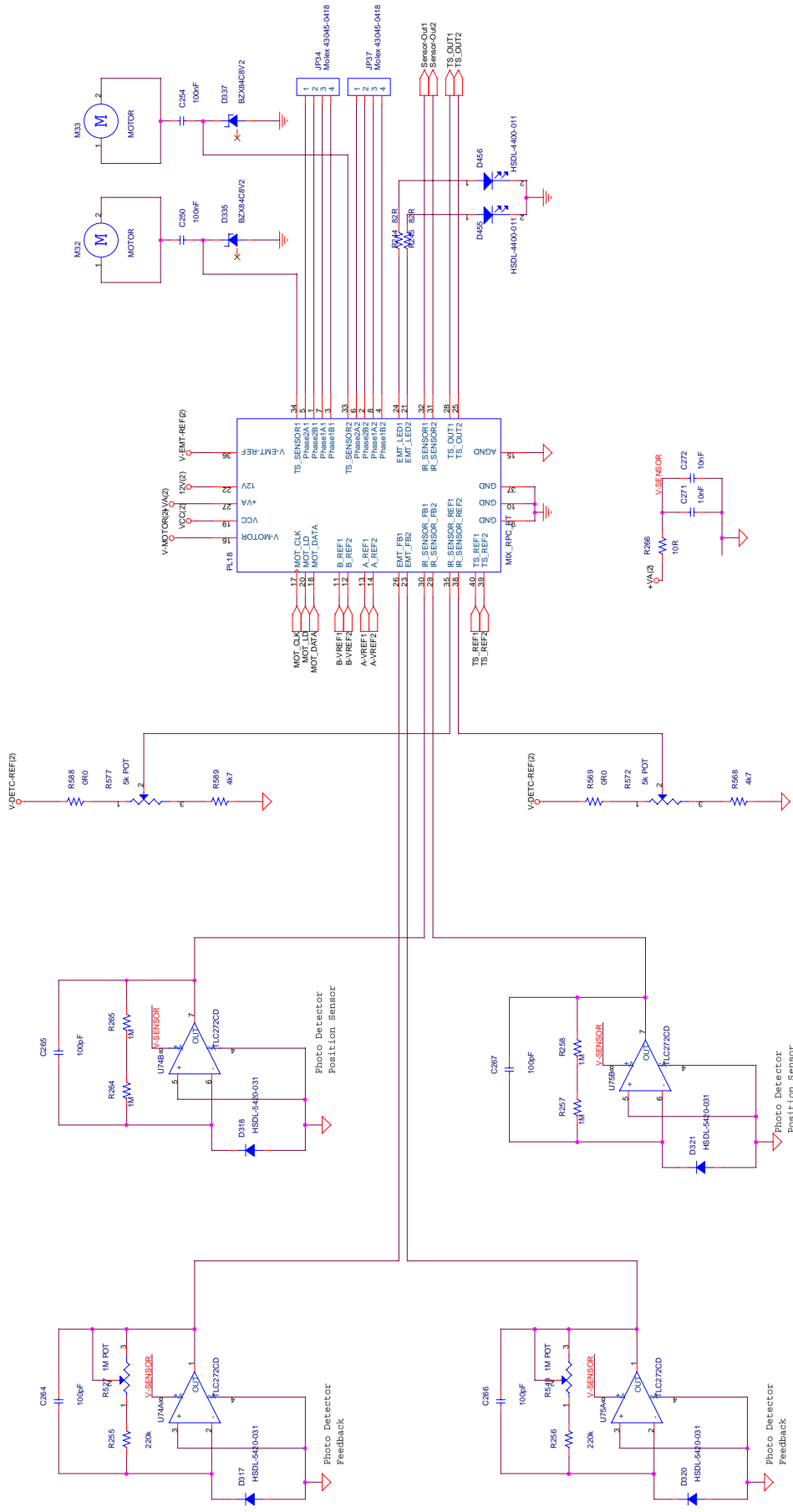


CAP_RHS

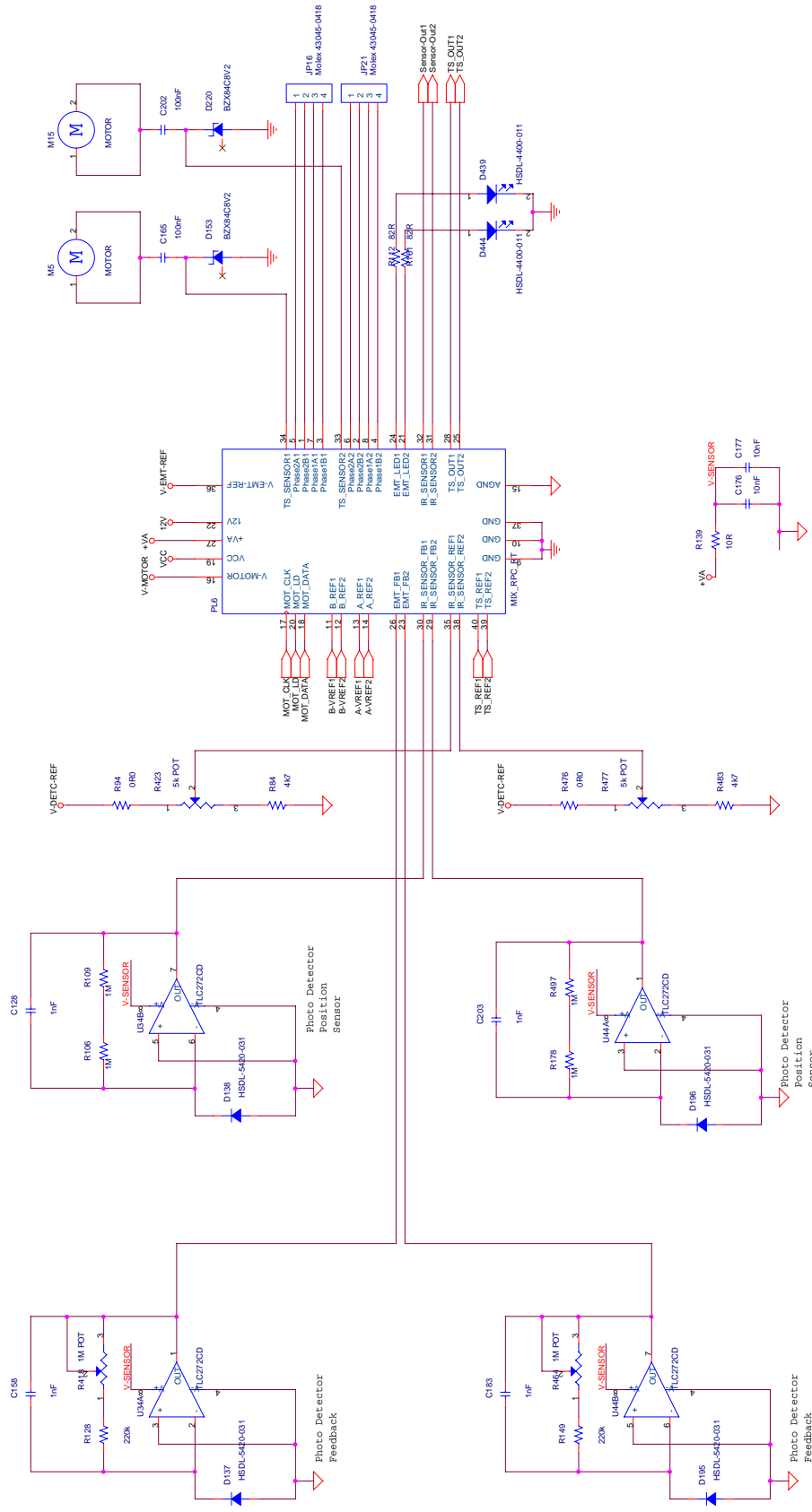


NOTE : LHS and RHS have different power planes - ALL RHS power is suffixed (2) with the exception of GND and AGND which become GND2 and AGND2

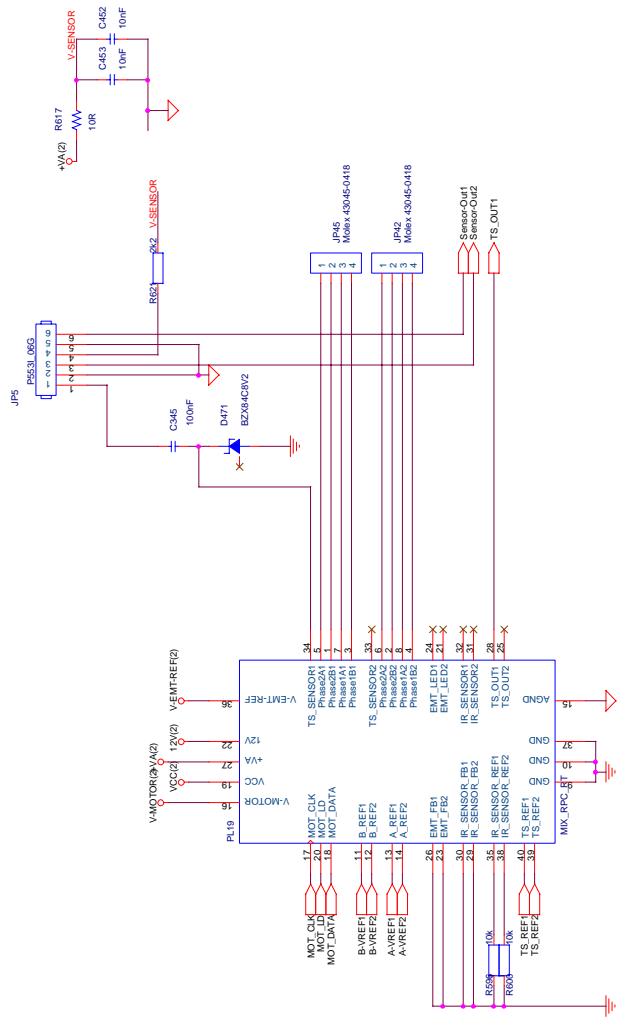
Title		<Title>	
Size	Document Number	Rev	<Rev Code>
A	<Doc>		
Date:	Wednesday, February 13, 2002	Sheet	1 of 37



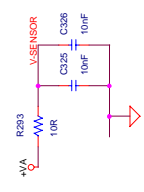
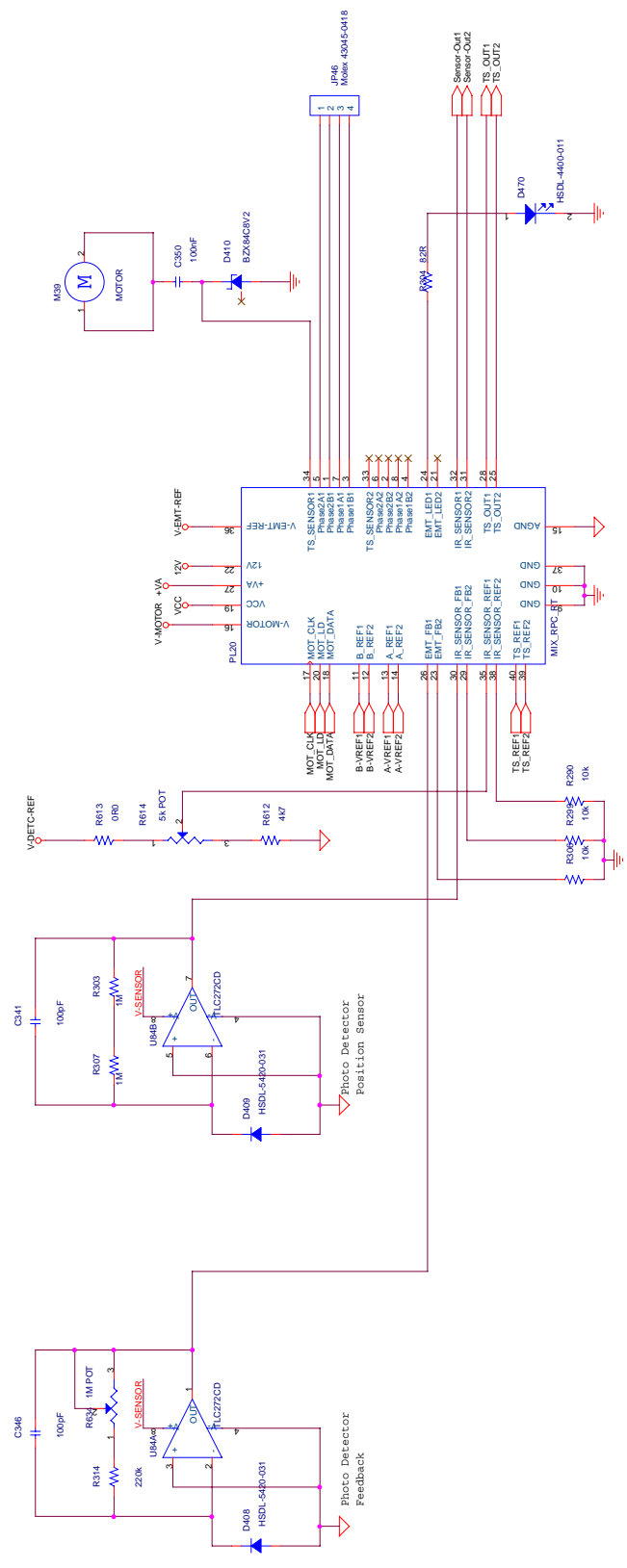
Title	Motored Potentiometer
Sheet	2 of 37
Rev	
Author	CAJ PHS
Date	Wednesday, February 15, 2012

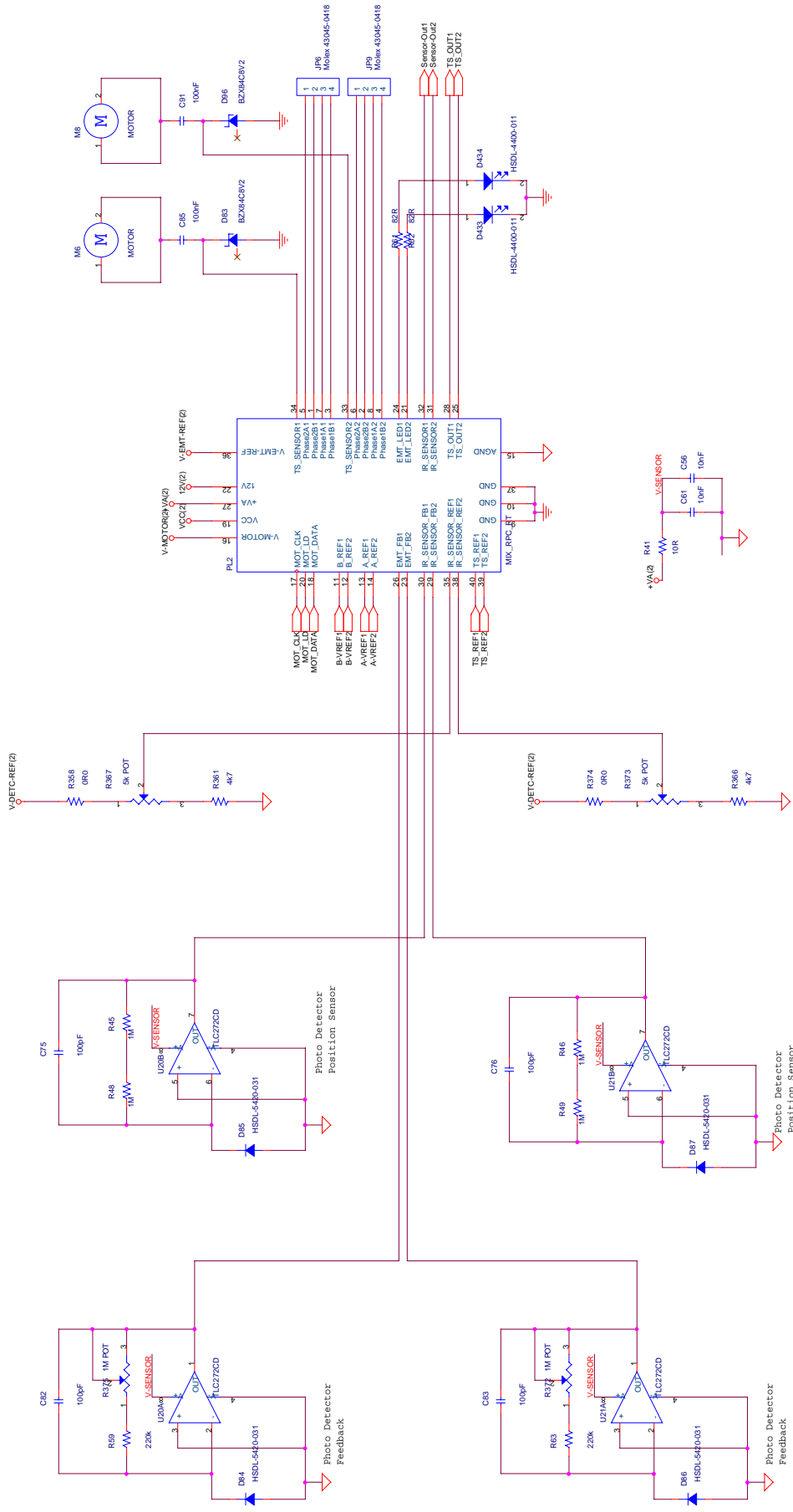


Title	MkIpsired Potentiometer
Size	Microstrip Number
Rev	CAP.LIN
Date	Wednesday, February 15, 2023
Sheet	3 of 37

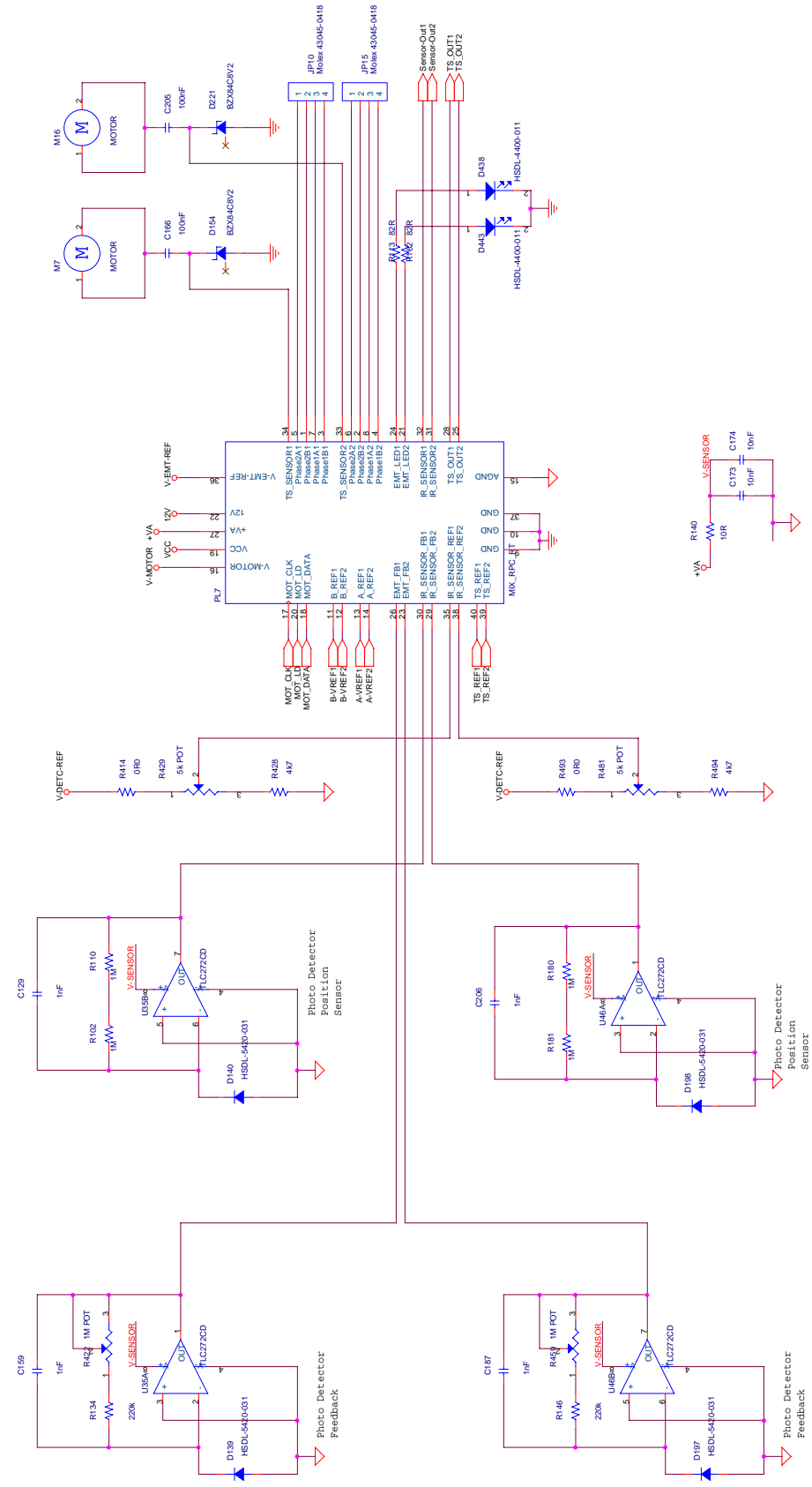


Title	Motorised Potentiometer
Doc. Number	
Rev	
Scale	CAP PINS
Date	Wednesday, February 15, 2012
Sheet	4 of 37

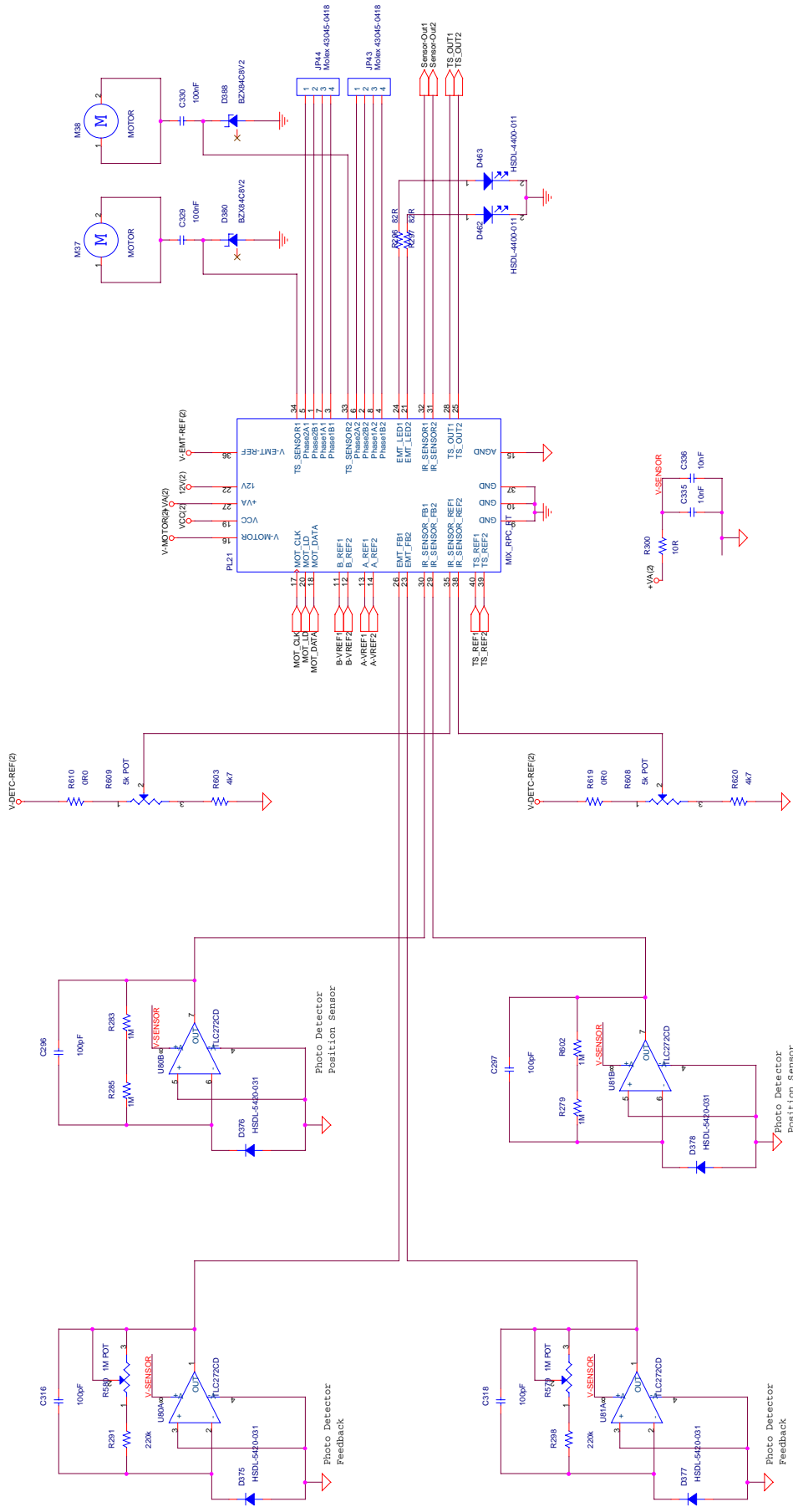




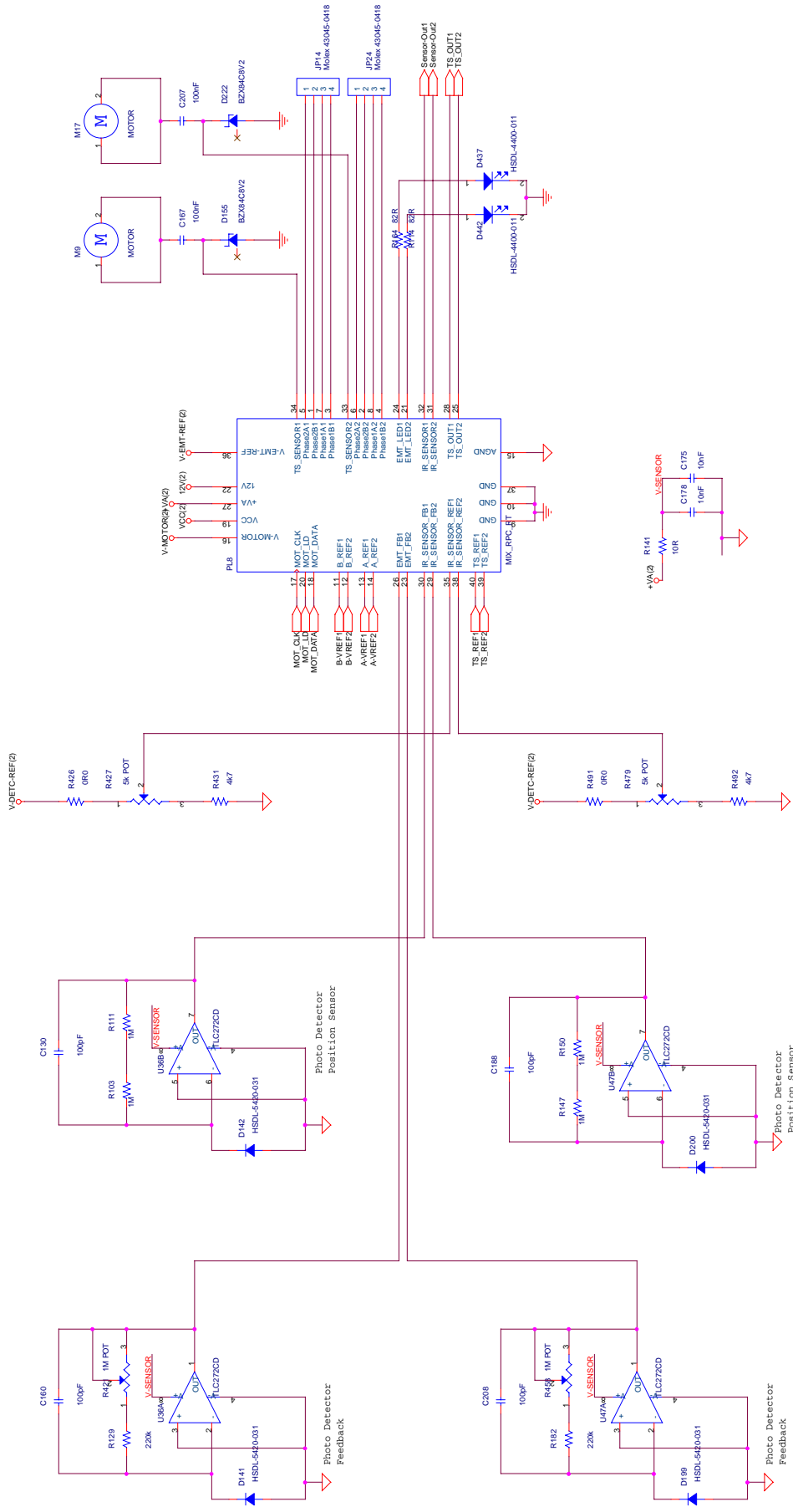
Title	Motored Potentiometer
Scale	Customer Number
Rev	CAP PINS
Date	Wednesday, February 15, 2012
Sheet	6 of 37



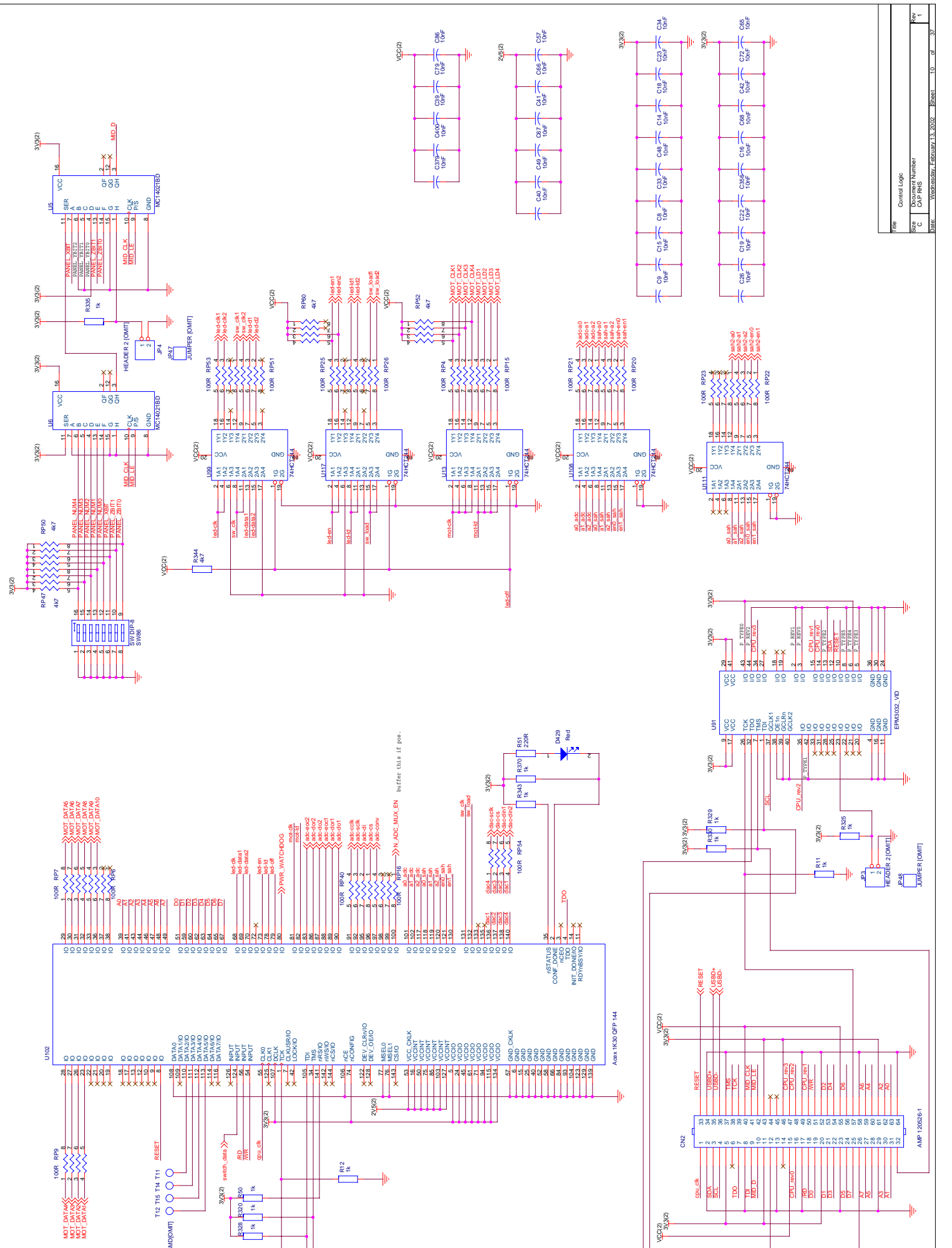
Title	Motorized Potentiometer
Size	Sheeting Number
Rev	CAP.LIN
Date	Wednesday, February 15, 2012
Sheet	7 of 37



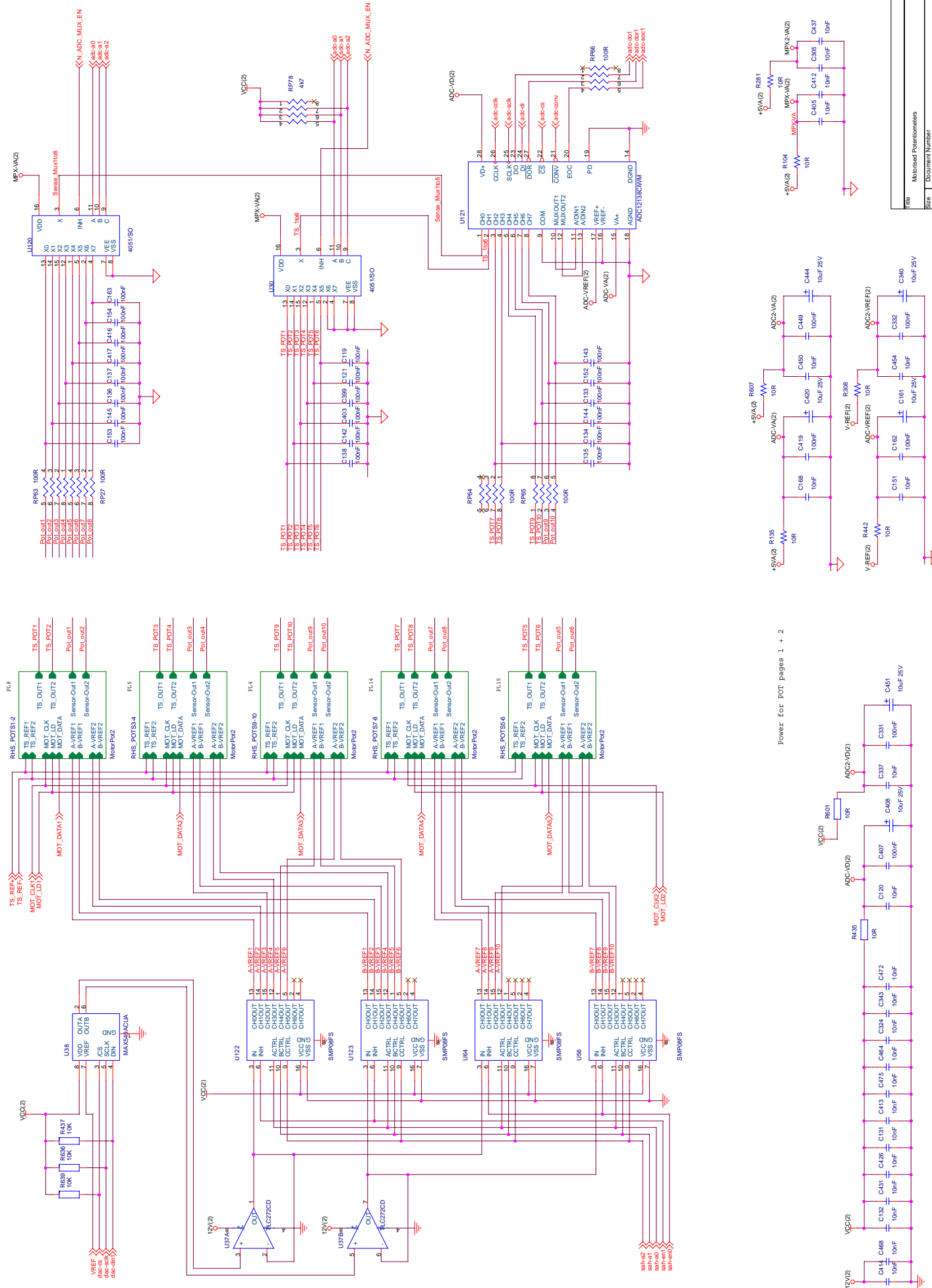
Title	Motored Potentiometer
Size	Sheet Number
Rev	CAP PINS
Date	Wednesday, February 15, 2023
Sheet	8 of 37



Title	Motored Potentiometer
Scale	Customer Number
Sheet	CAP PINS
Date	Wednesday, February 15, 2012
Sheet	9 of 37

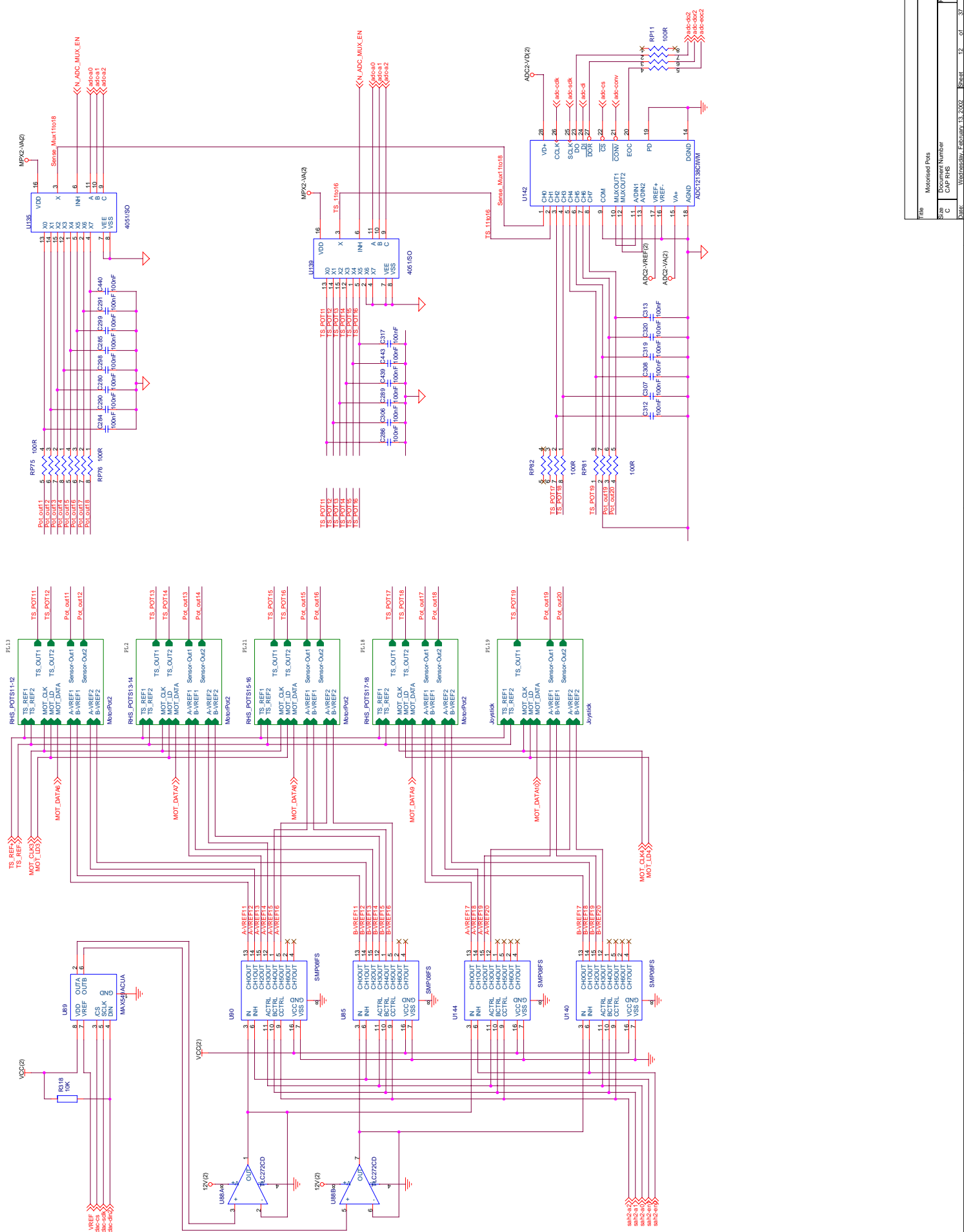


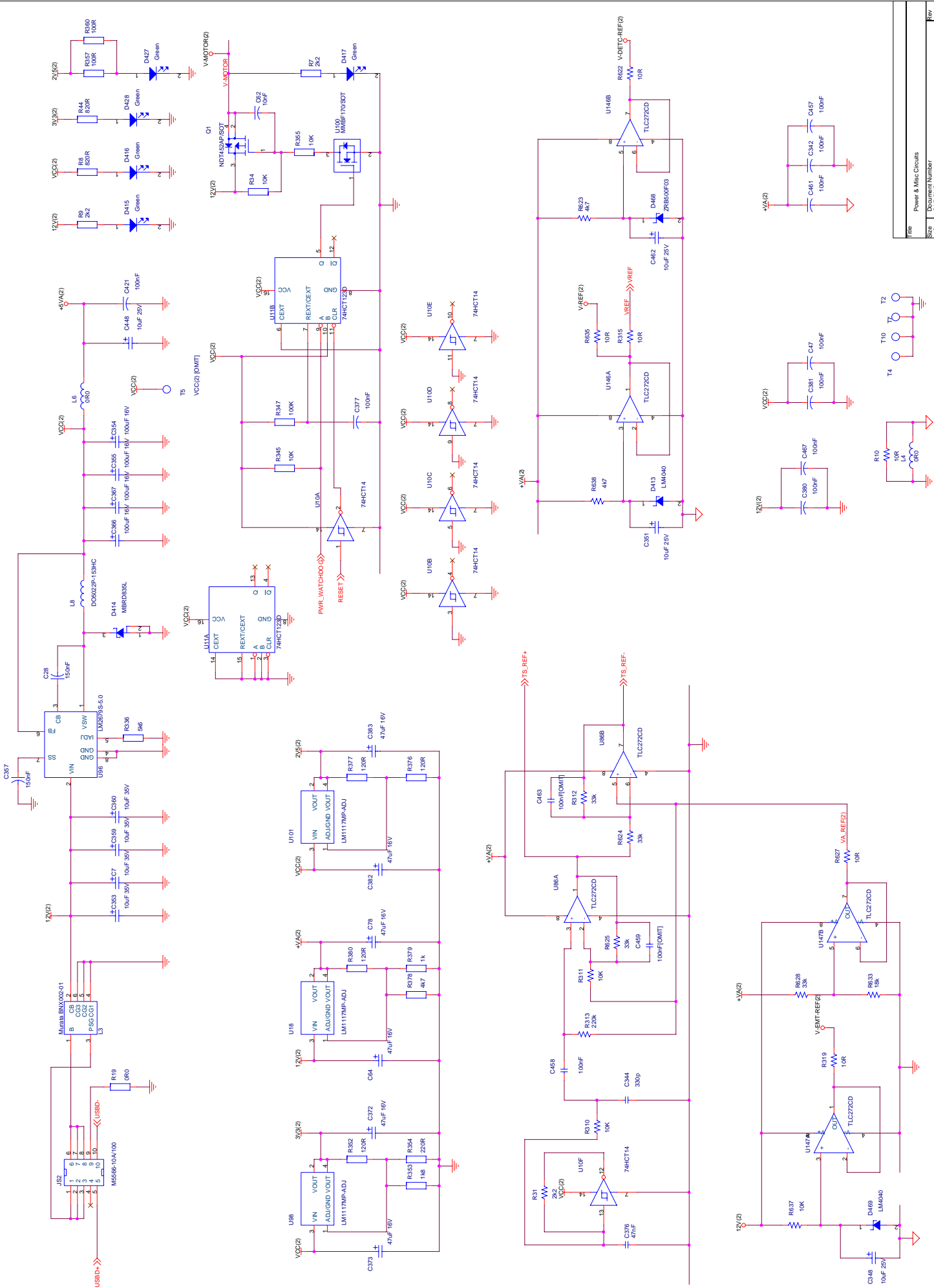
Title	Control Logic
Scale	Control Logic
Sheet	CAP PINS
File	Wednesday, February 15, 2012
Sheet	10 of 37



Power for POT pages 1 + 2

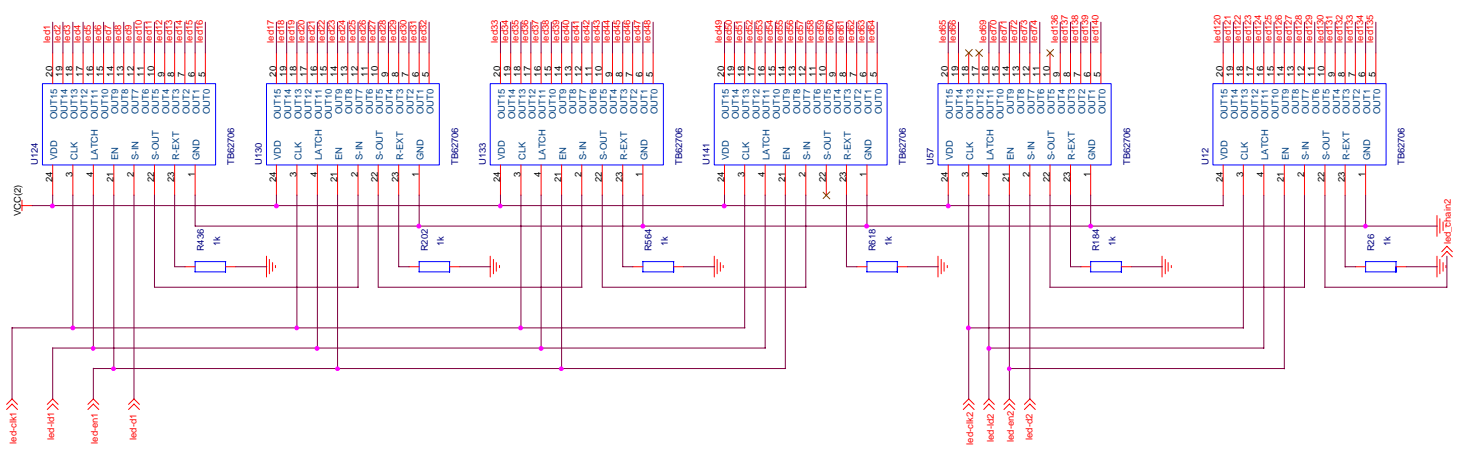
Title	Microvised Potentiometers
Scale	Microvised Potentiometers
Sheet	11 of 37
Date	Wednesday, February 15, 2012



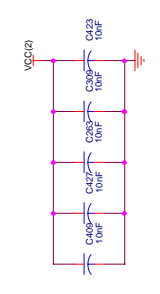
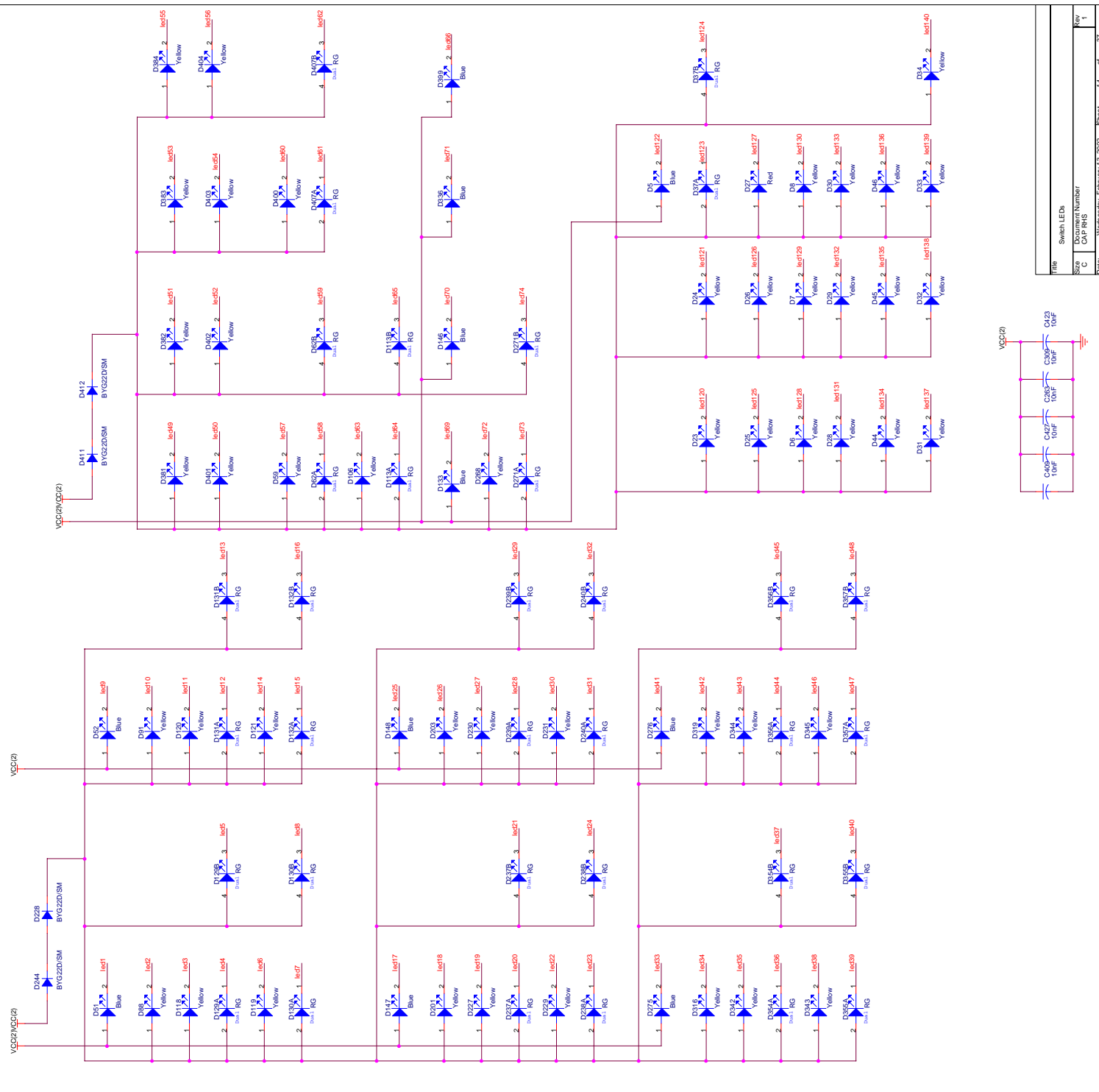


Title			
Power & Misc Circuits			
Sheet Number			
CAP.PRN			
Rev			
13	of	37	

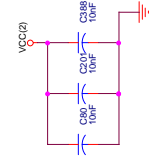
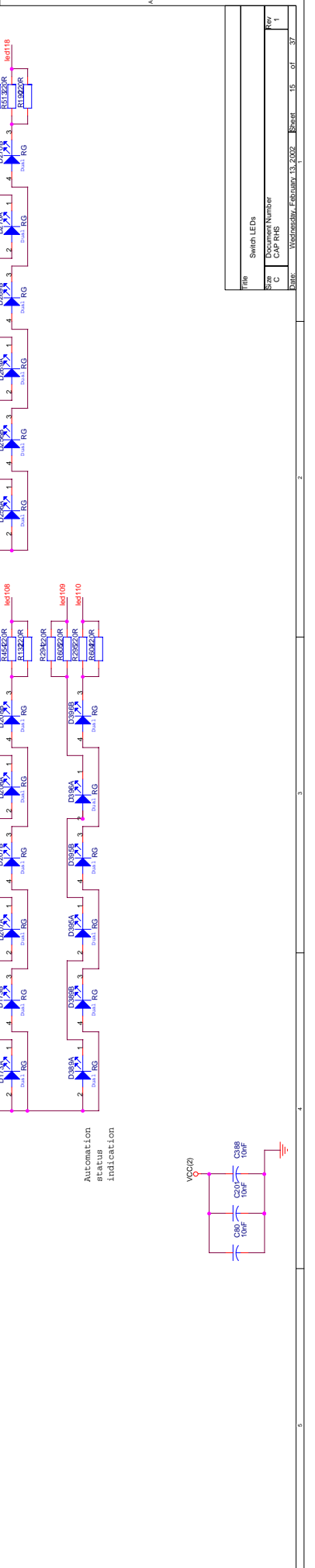
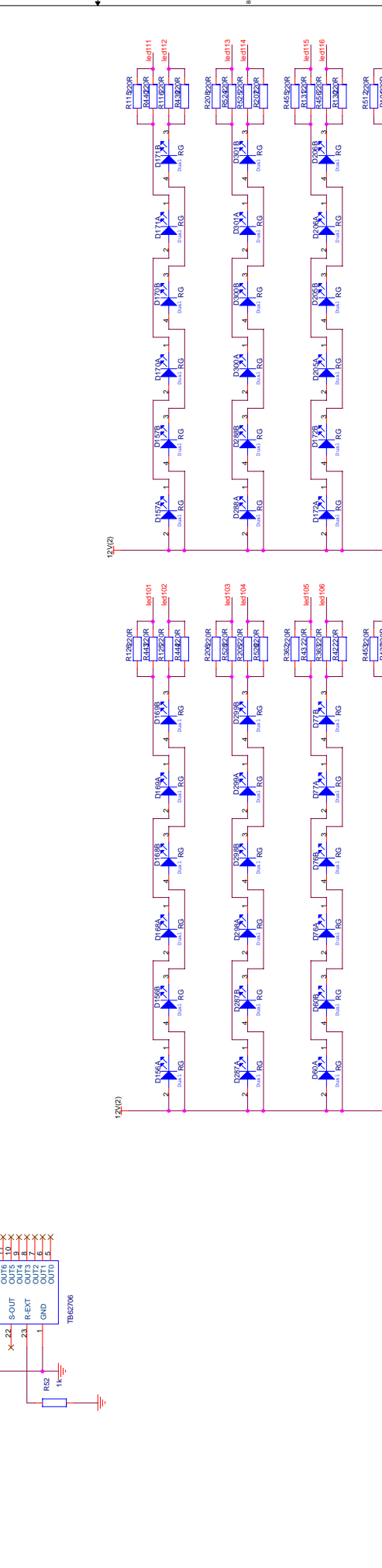
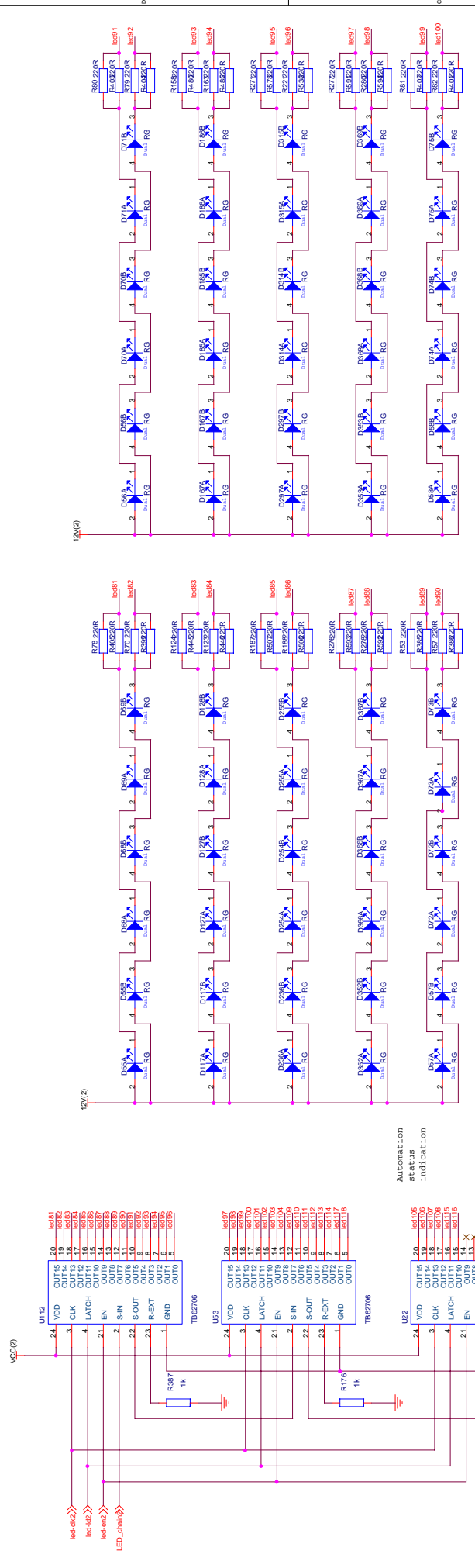




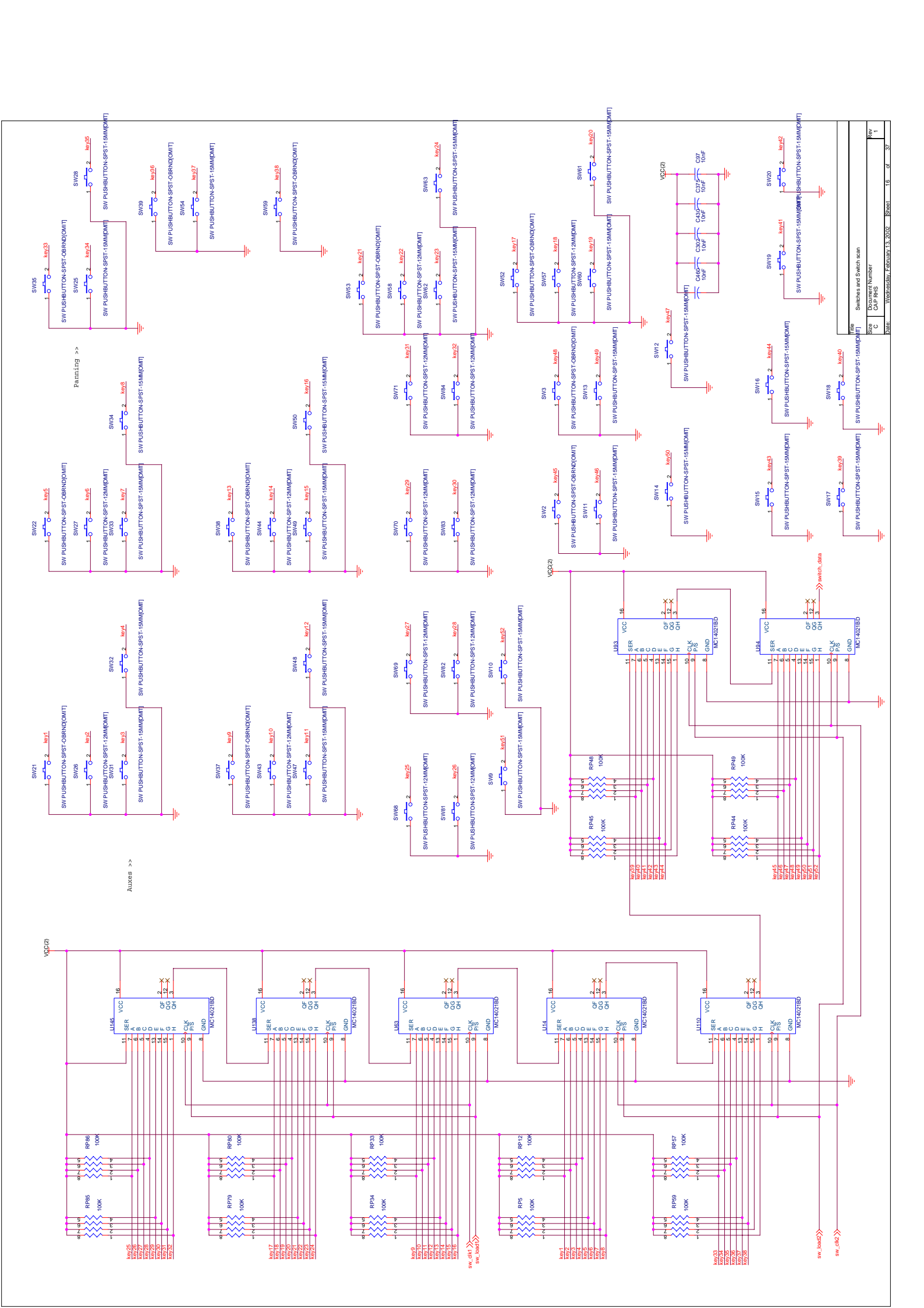
Aukeres>>



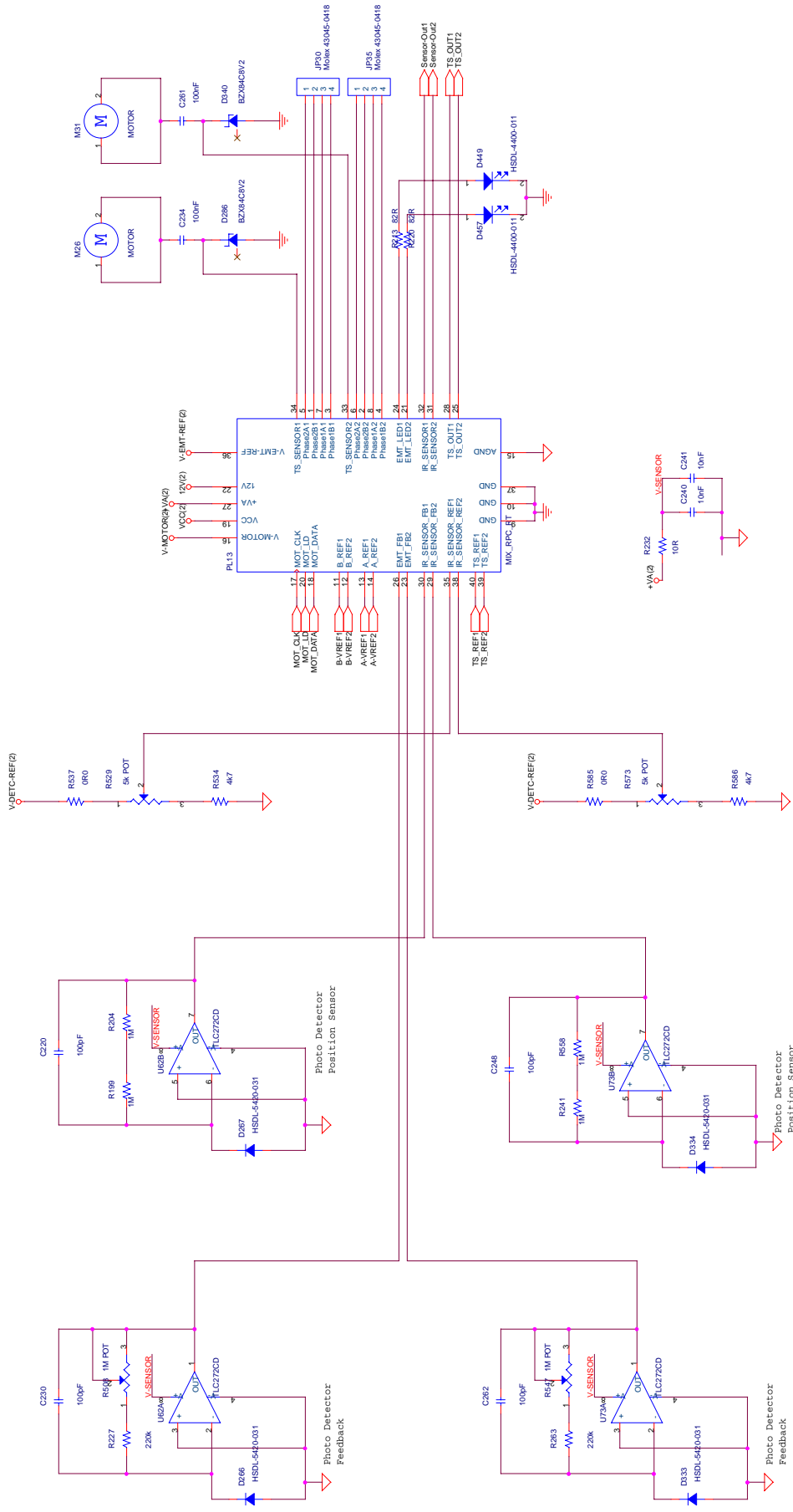
Title	Switch LEDs
Sheet	Switch Number
Rev	CAP PINS
Date	Wednesday, February 15, 2012
Sheet	14 of 37



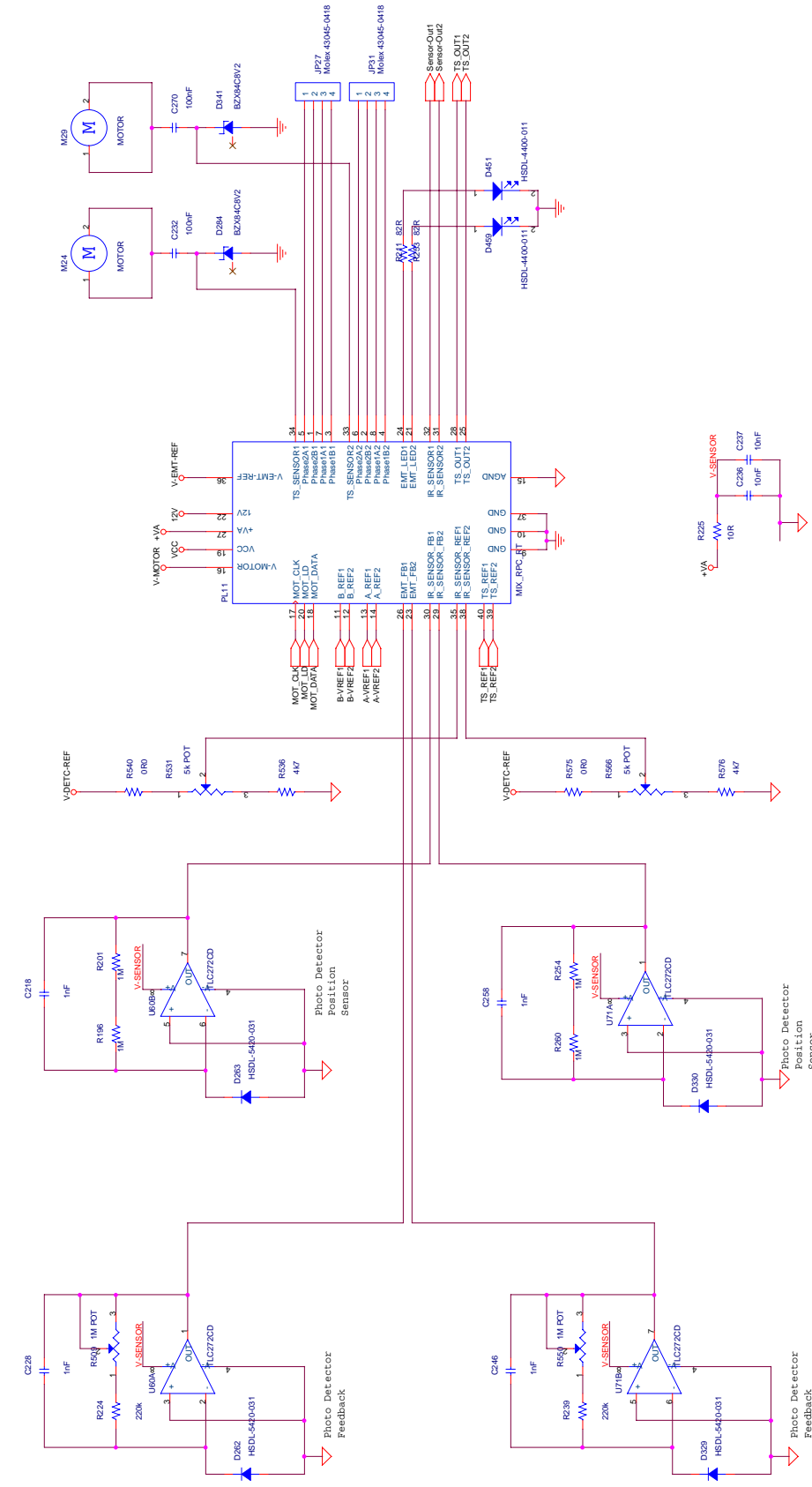
File	Switch LE Ds	Rev	1
Size	Document Number	Doc	
C	CAP PWS	Sheet	15 of 37
Date:	Wednesday, February 13, 2002		



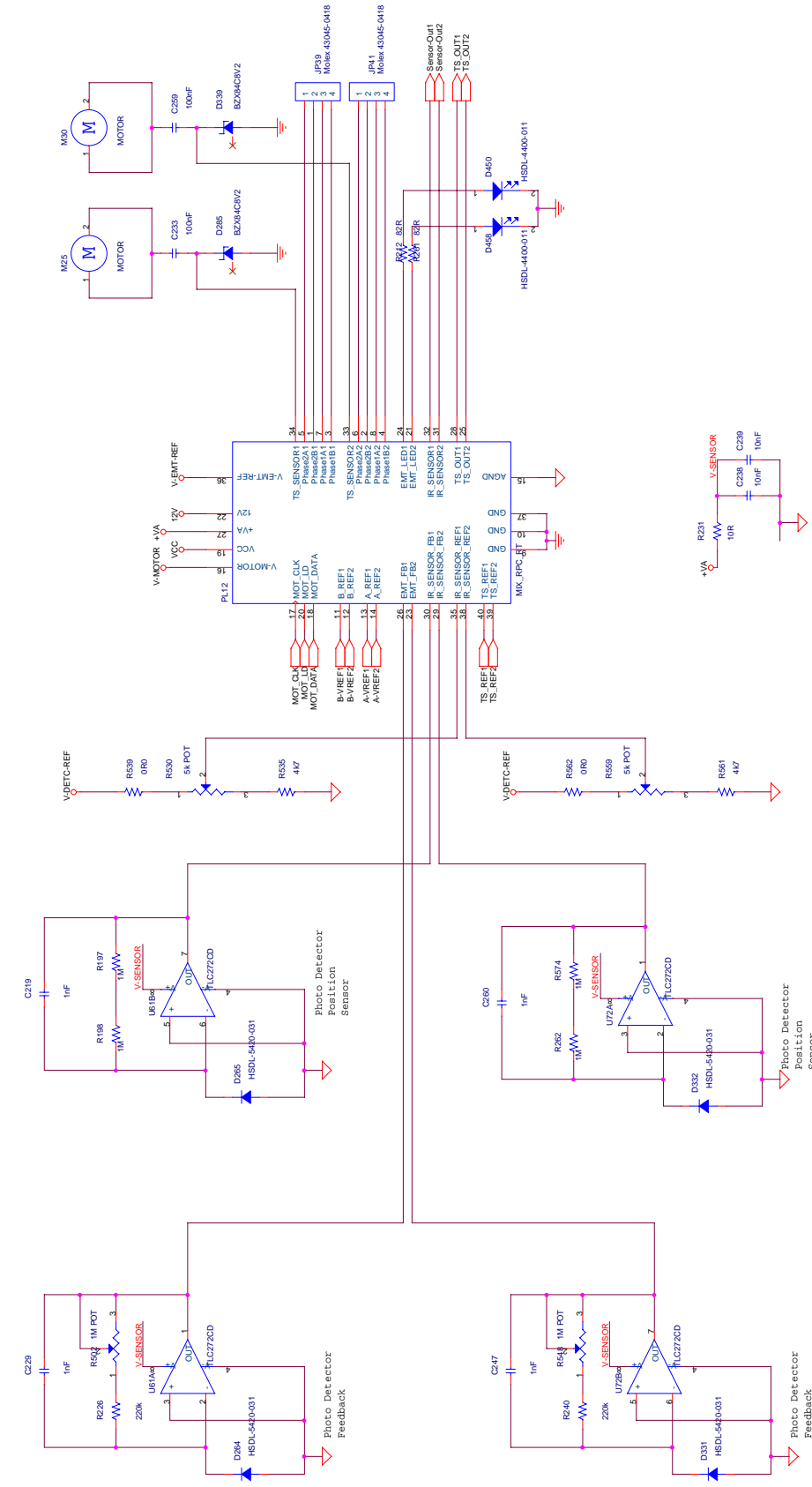
File	Symbol and Switch scan
SW	Switch and Switch scan
RP	Resistor
CAP	Capacitor
MC14027BD	MC14027BD
Rev	Rev



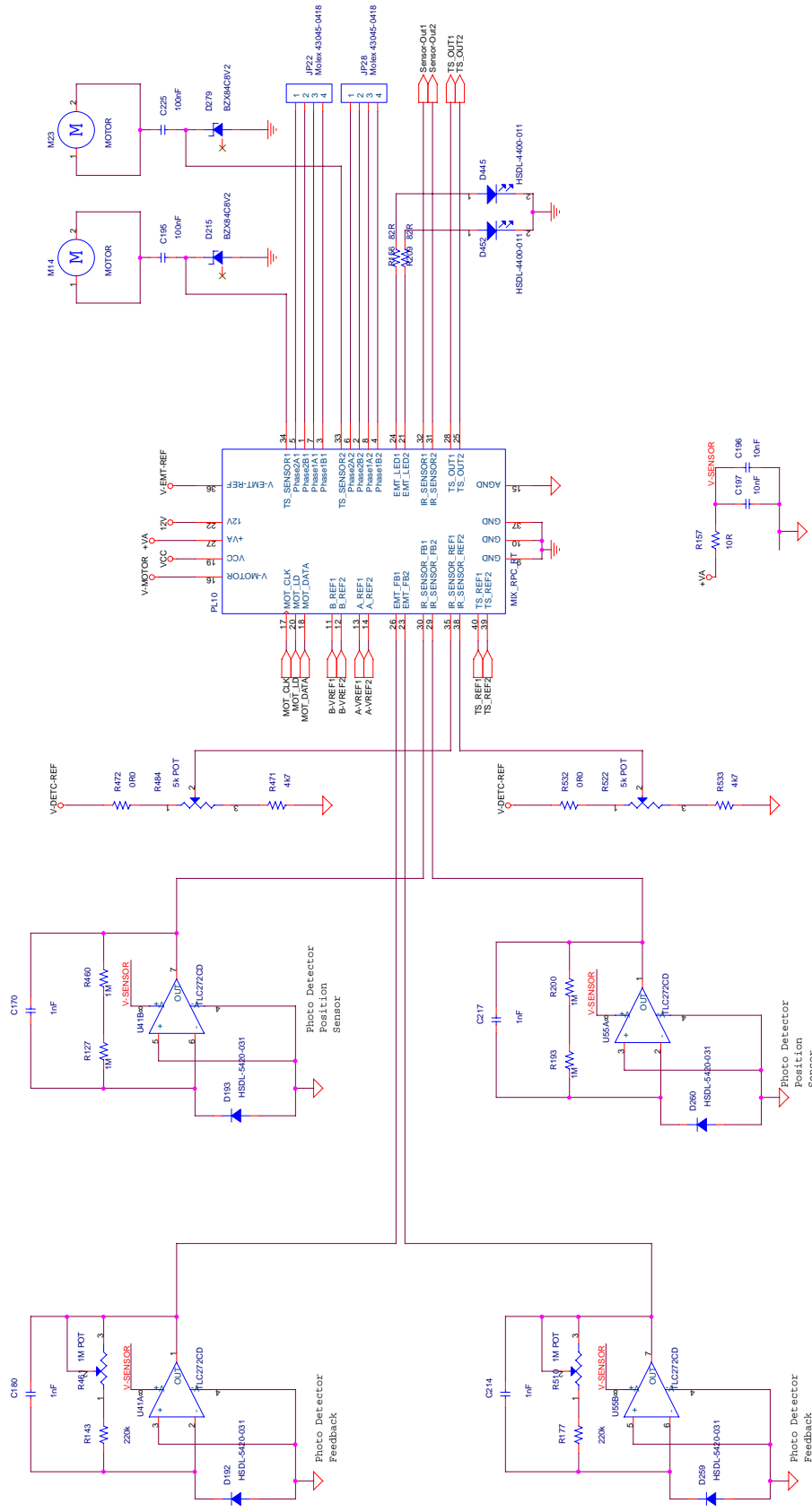
Title	Motored Potentiometer
Scale	Component Number
Rev	CAP PINS
Date	Wednesday, February 15, 2023
Sheet	17 of 37



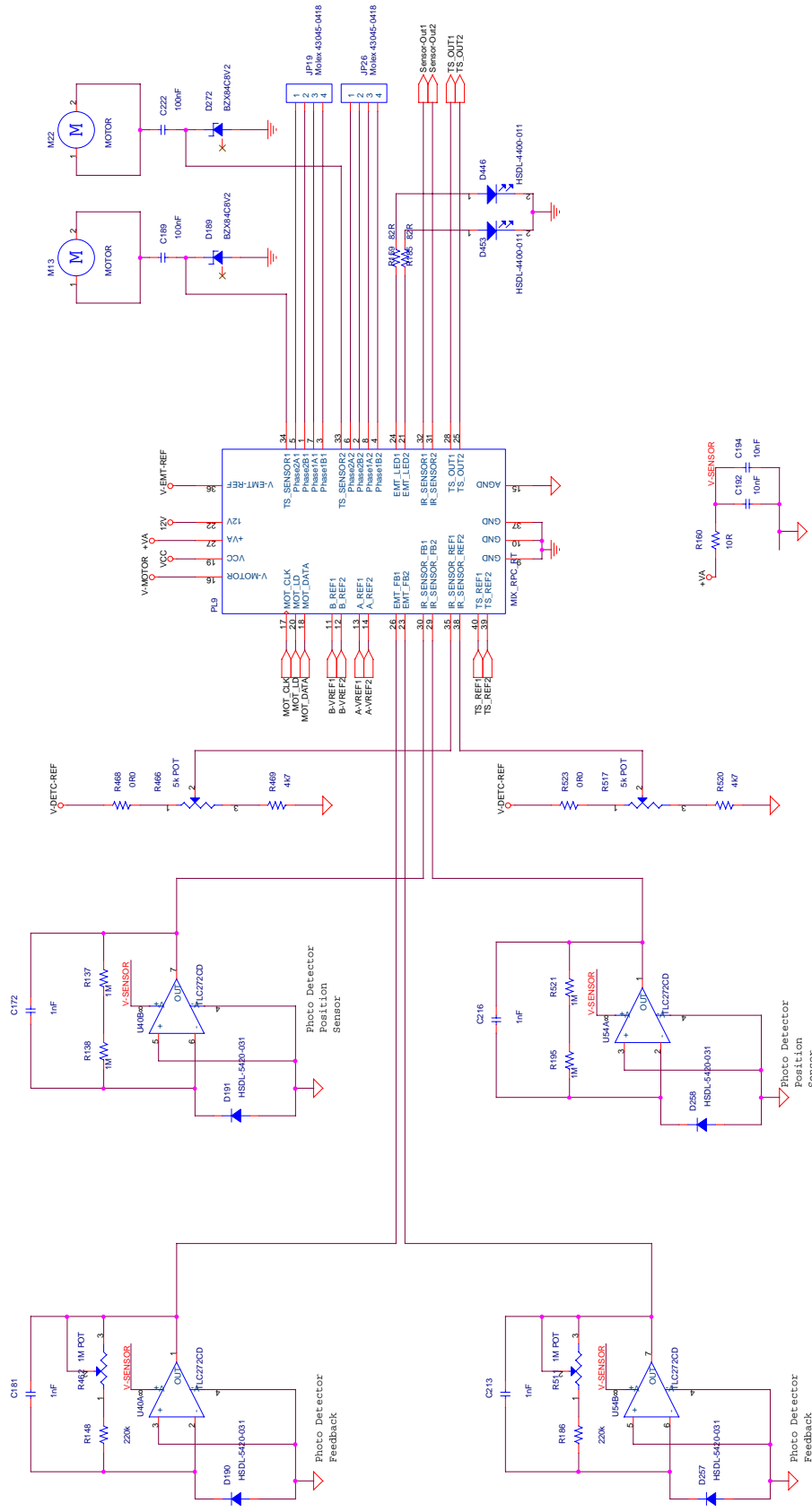
Title	MkIpsied Potentiometer
Size	Microstrip Number
Rev	CAP.LIN
Date	Wednesday, February 15, 2023
Sheet	18 of 37



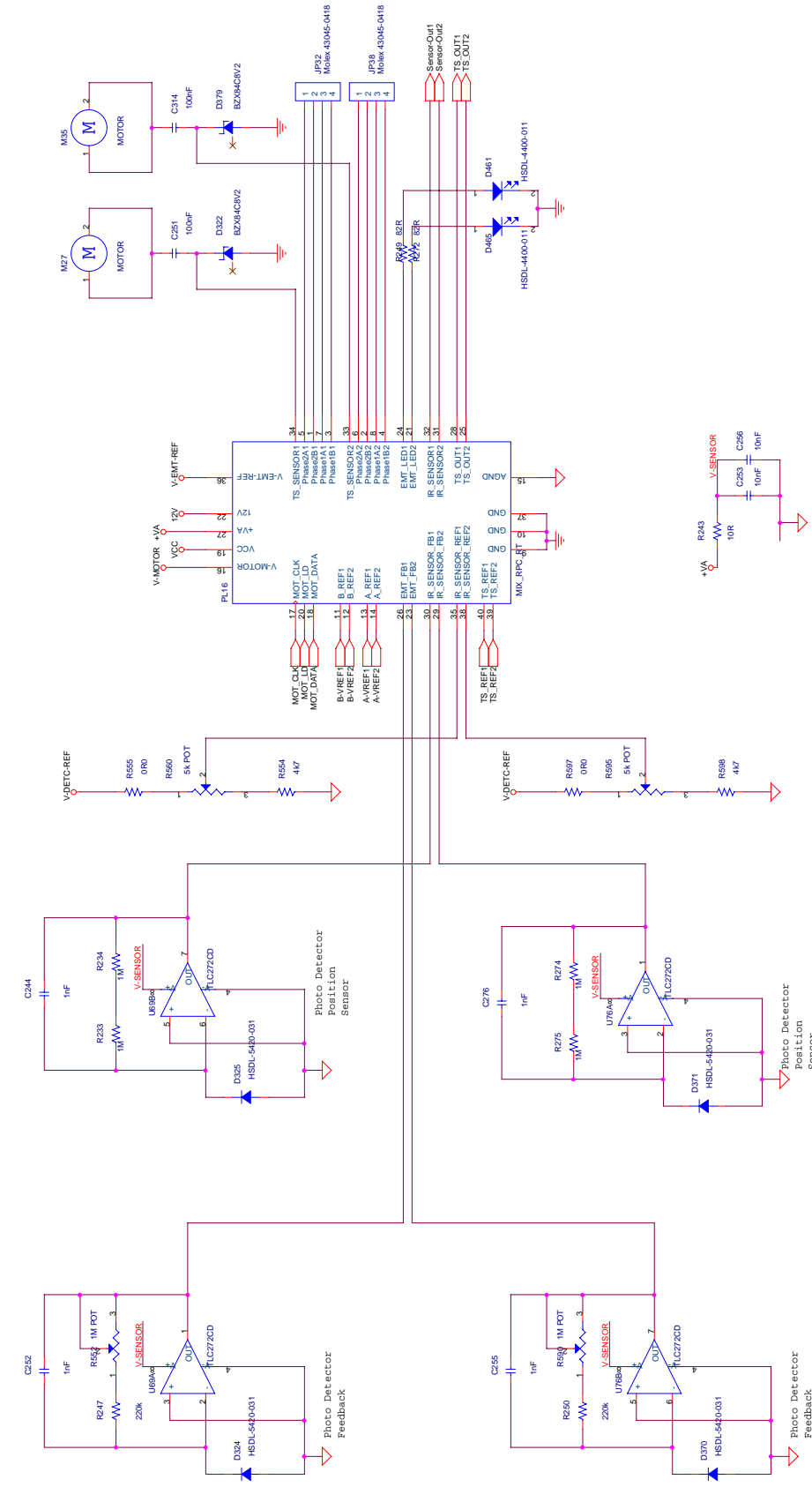
Title	Mkxipcc Potentiometer
Size	Standard Number
Doc	CAP.LIN
File	Wednesday, February 15, 2012 8:58:11 19 of 37



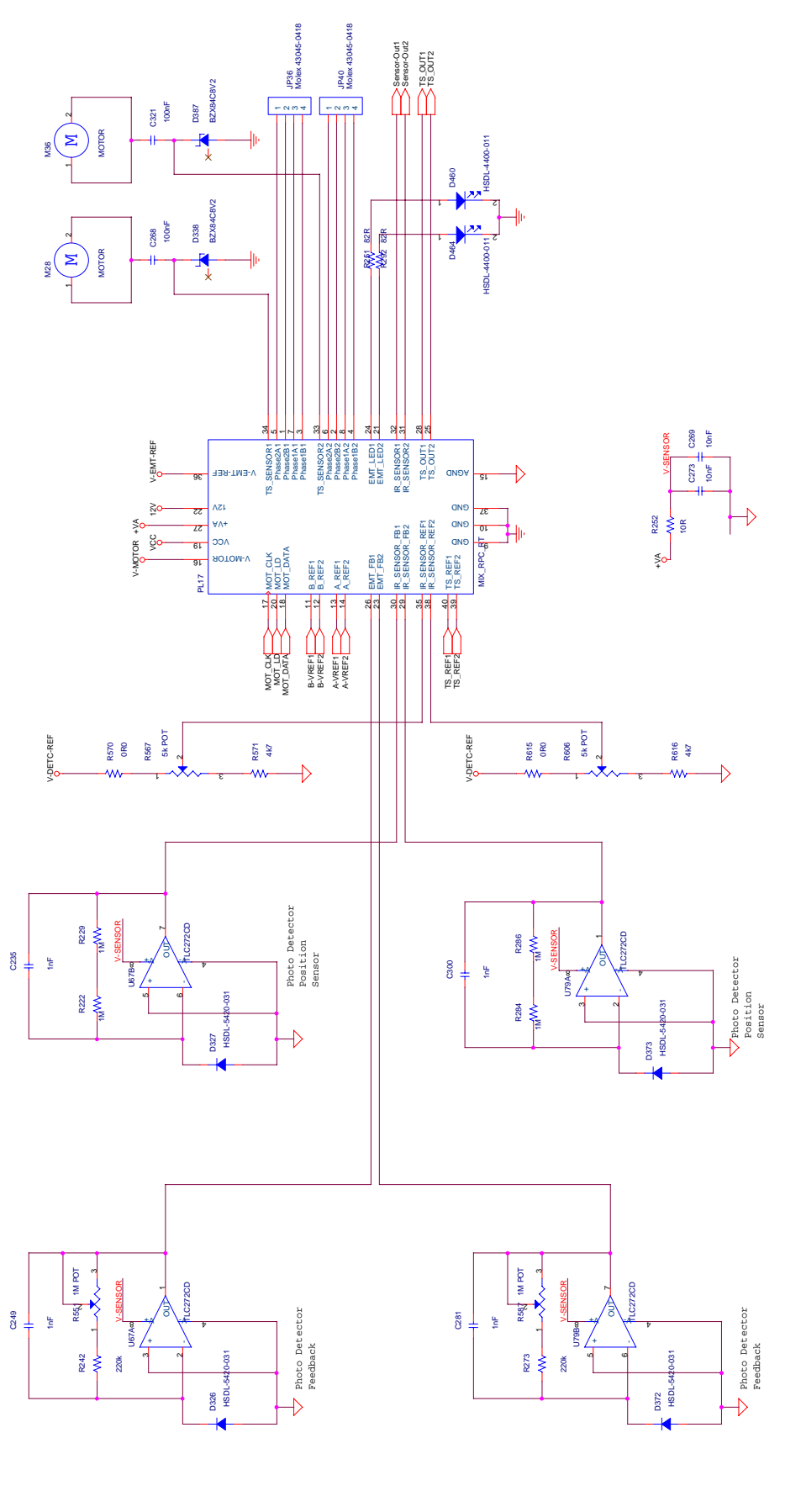
Title	MkxShield Potentiometer
Size	Standard Number
Rev	CAP.LIN
Date	Wednesday, February 15, 2012 8:58:11 AM 20 of 37



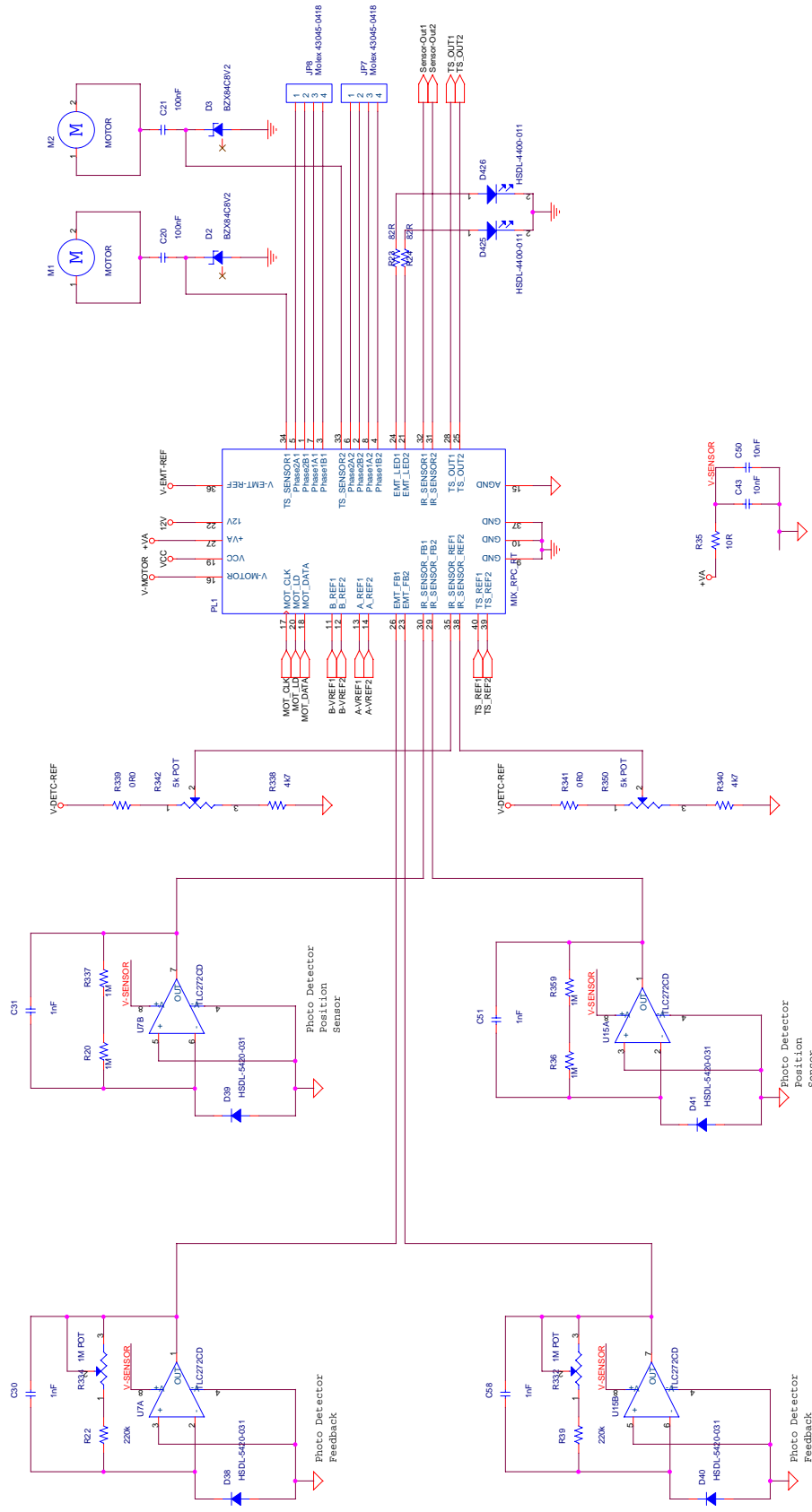
Title	Motored Potentiometer
Size	Sheeting Number
Rev	CAP.LIN
Date	Wednesday, February 15, 2023
Sheet	21 of 37



Title	Mk3500d Potentiometer
Size	Microstrip Number
Rev	CAP.LIN
Date	Wednesday, February 15, 2012
Sheet	22 of 37

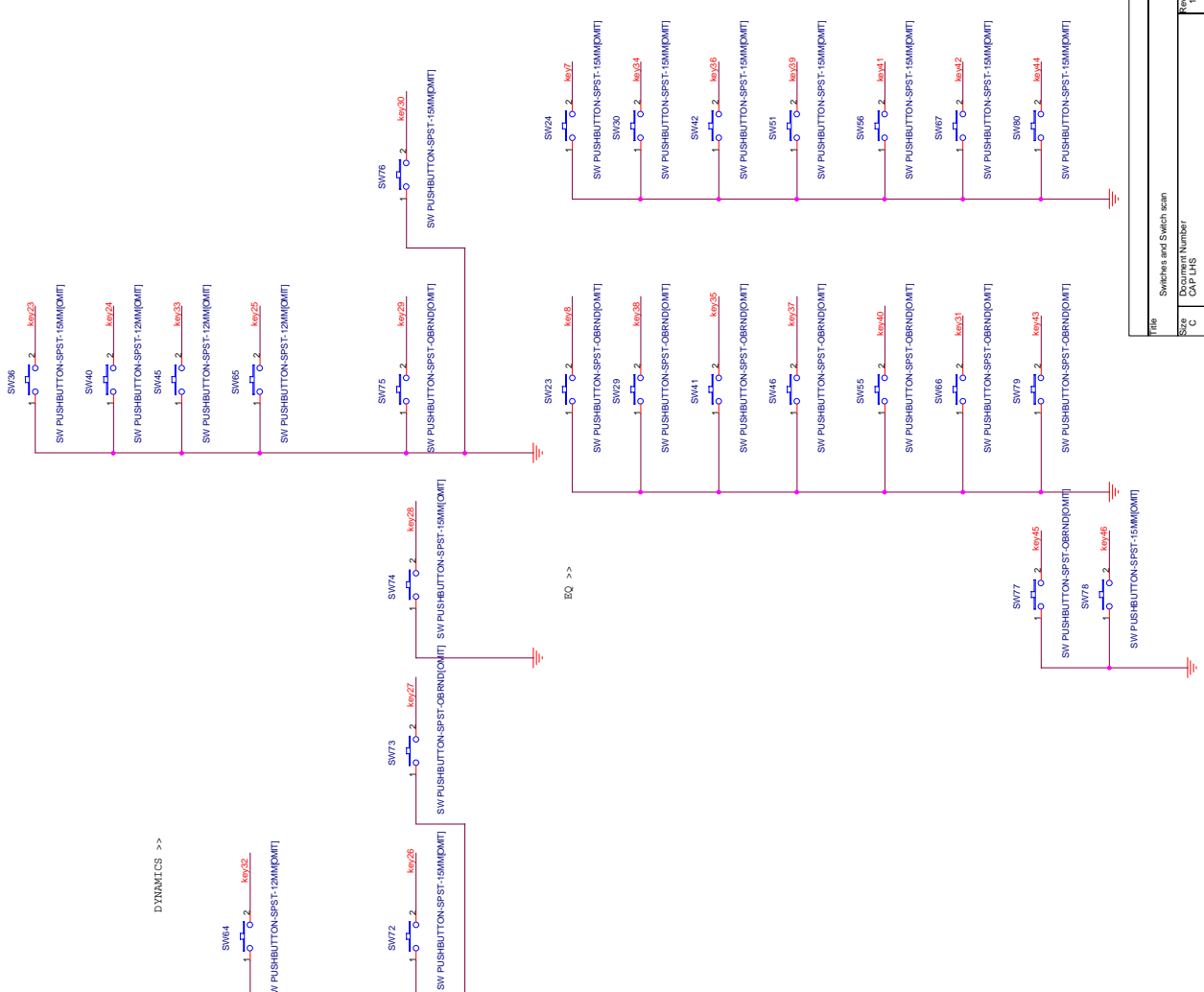
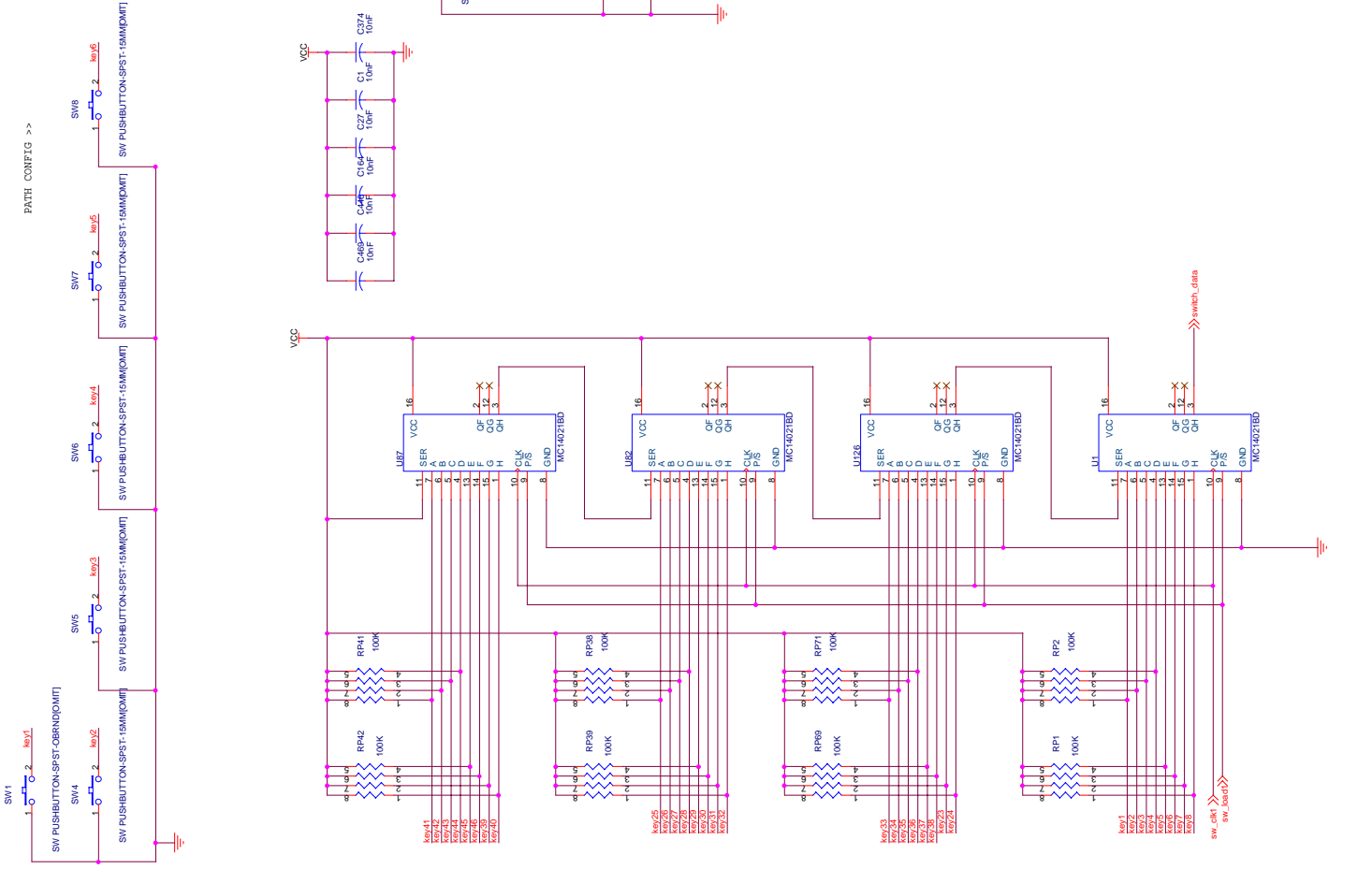


Title	Maxwell Potentiometer
Size	Worksheet Number
Sheet	CAP.LIN
Date	Wednesday, February 15, 2012
Sheet	23 of 37

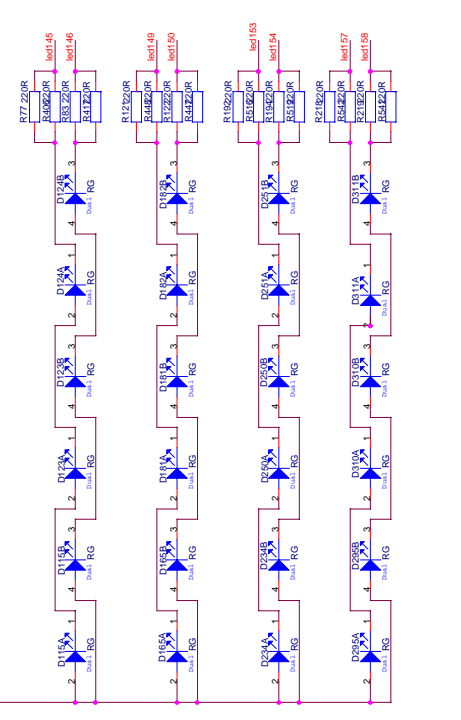
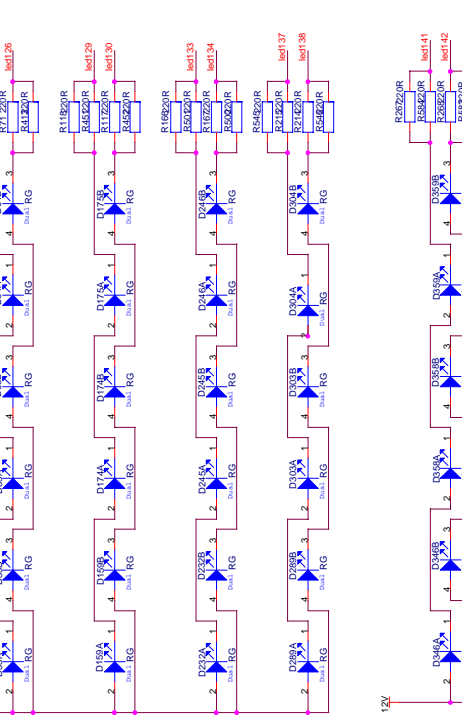
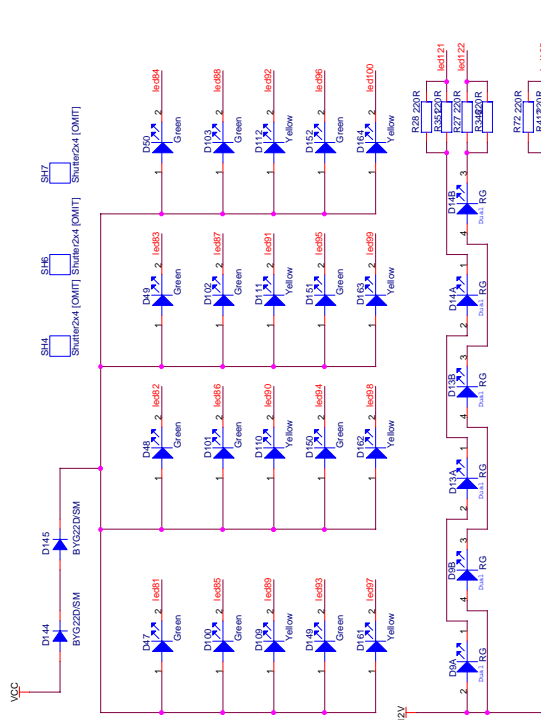
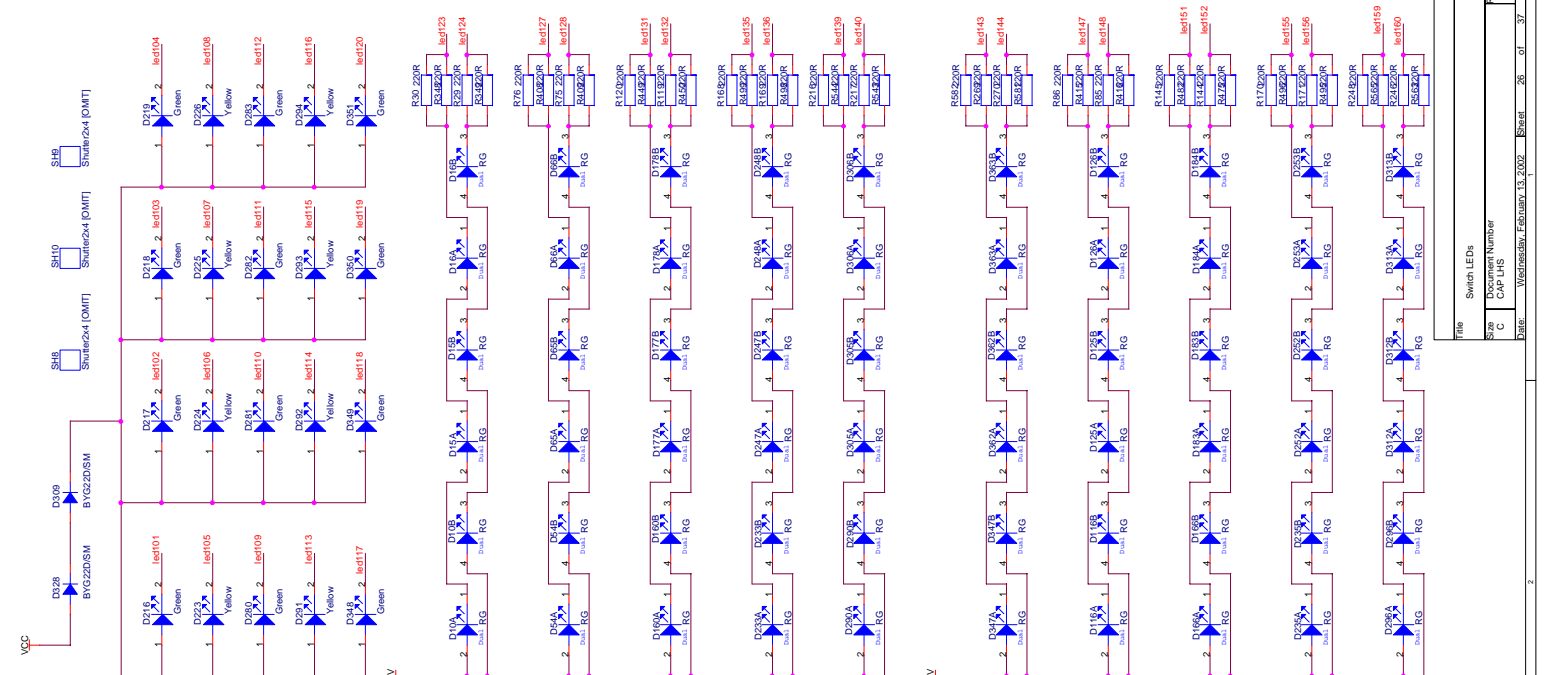
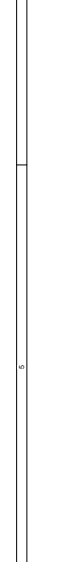
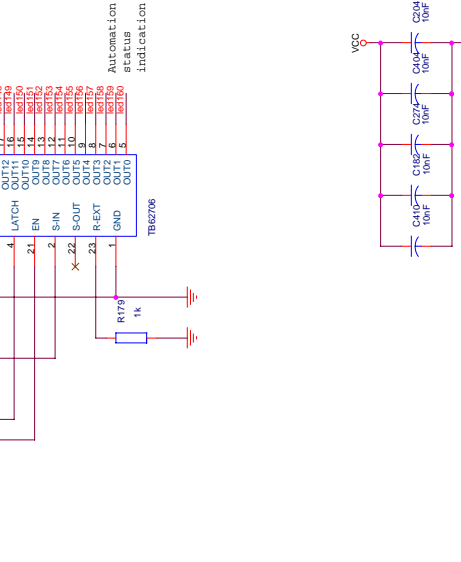
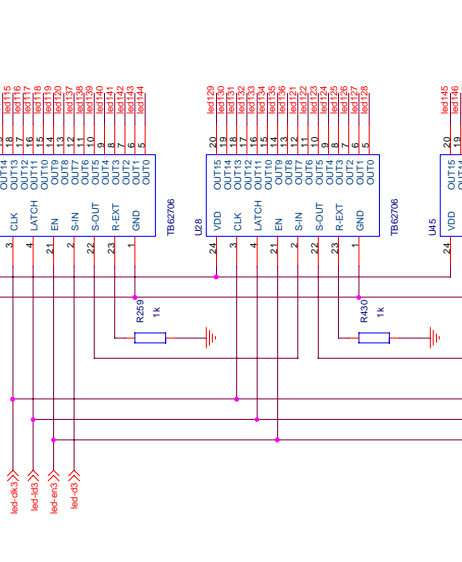
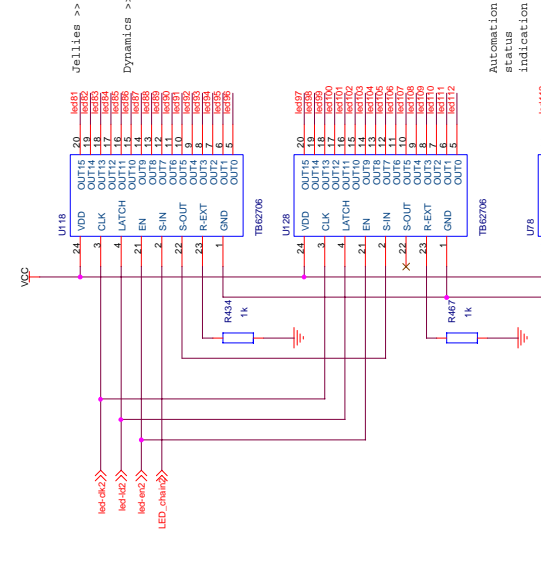
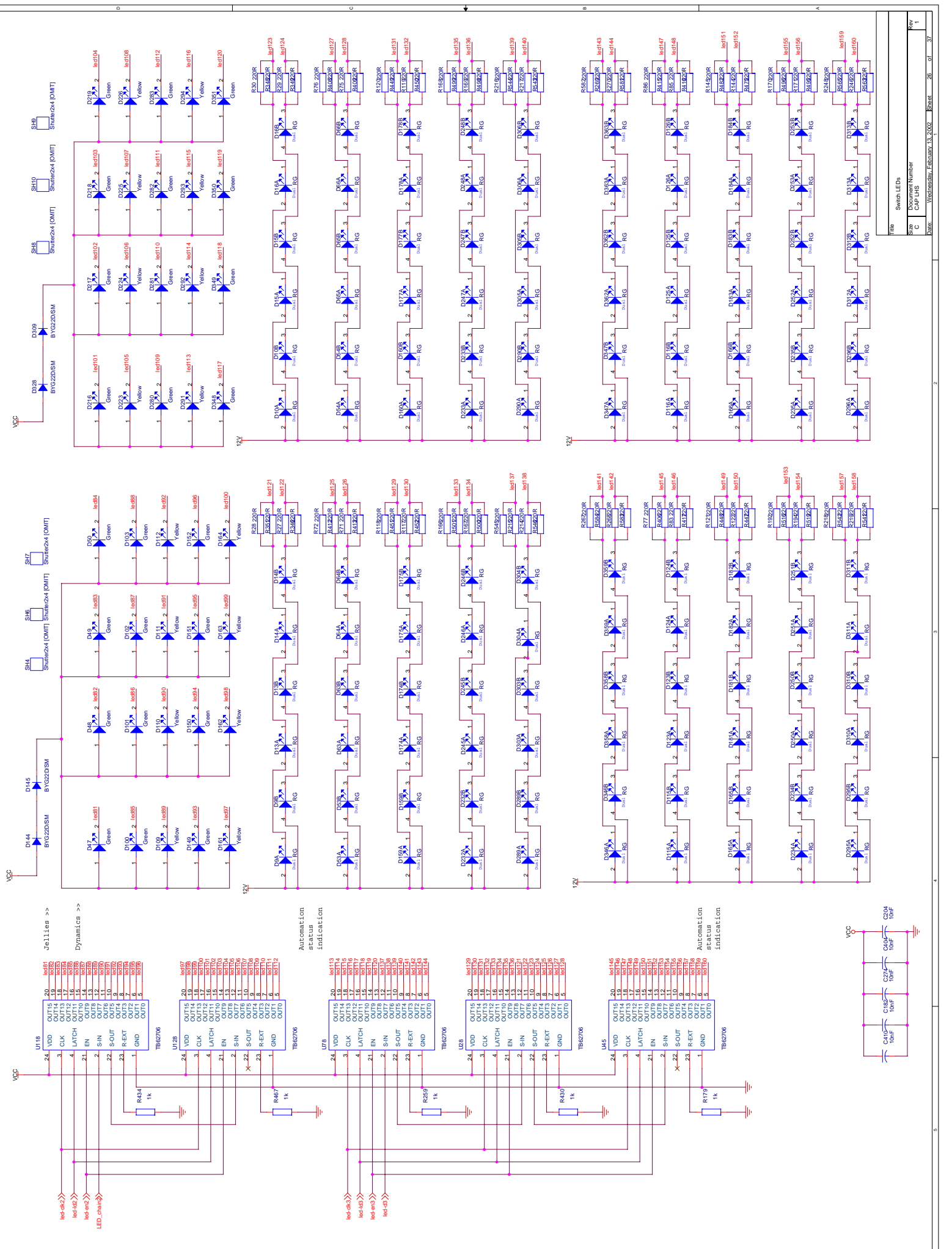


Title	MkIpsred Potentiometer
Size	Microstrip Number
Doc	CAP.LIB
File	Wednesday, February 15, 2024 8:58:11 24 of 37

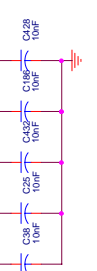
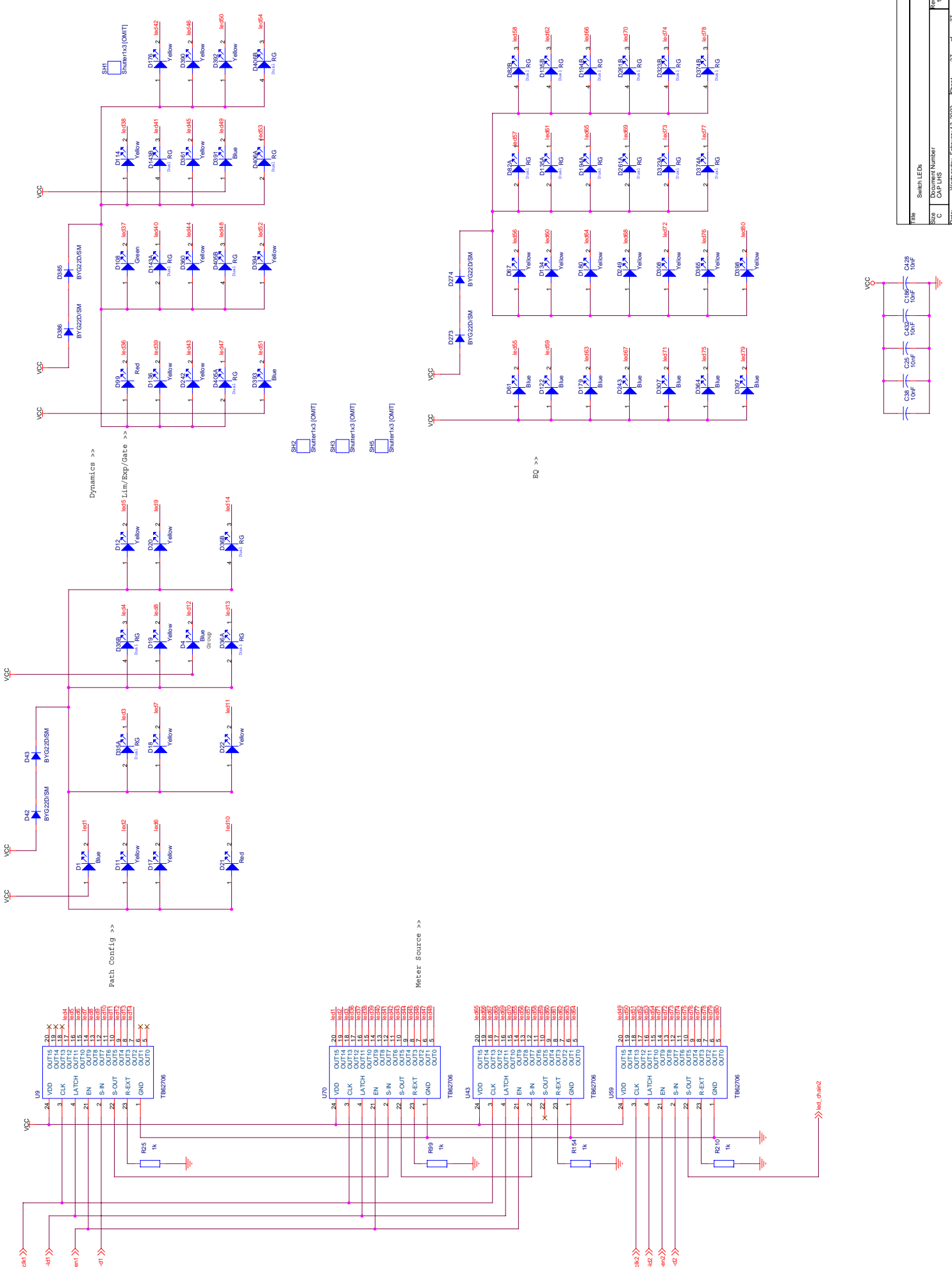
PATH CONFIG >>



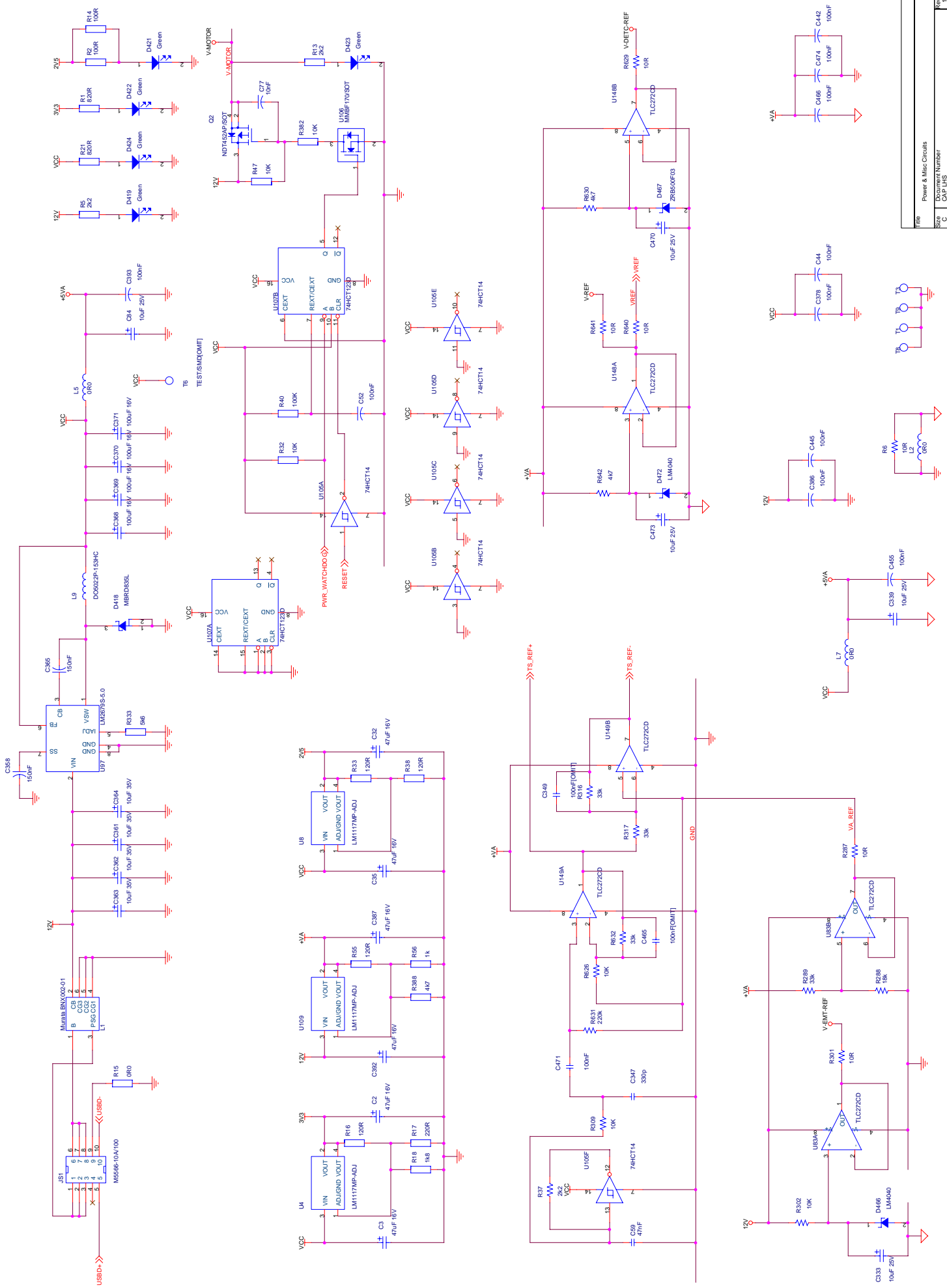
Title	Switches and Switch scan
Sheet	1 of 1
Version	1
Created	2025.02.15 15:20:25
Author	...
Rev	37



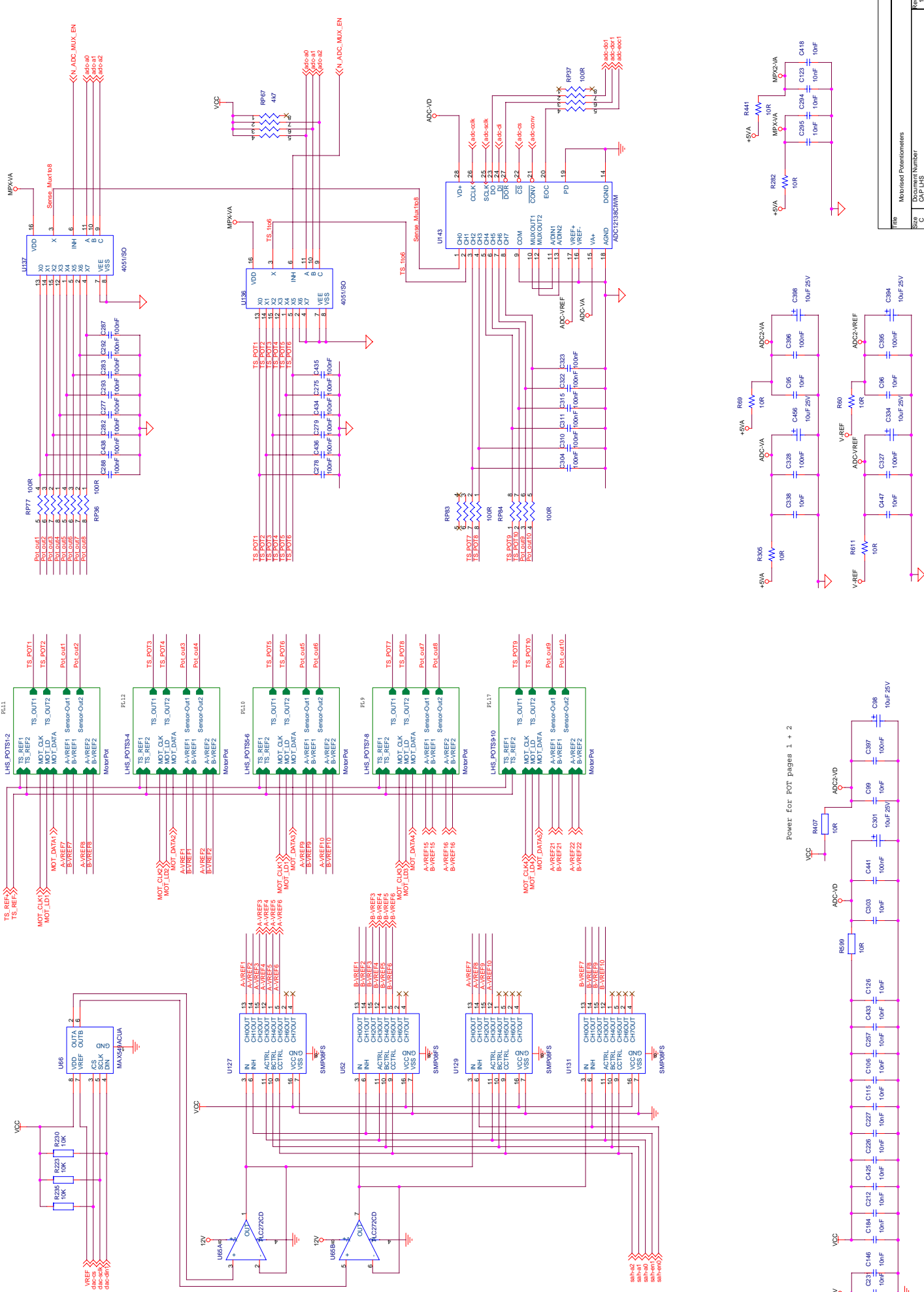
Rev	1
Doc	SW-001
Proj	Automation
Author	...
Check	...
Date	Wednesday, February 13, 2002
Sheet	26 of 37



Title	Switch LEDs
Doc. No.	Document Number
Rev	Rev
Date	Wednesday, February 15, 2012 8:58:11 AM
Page	27 of 37

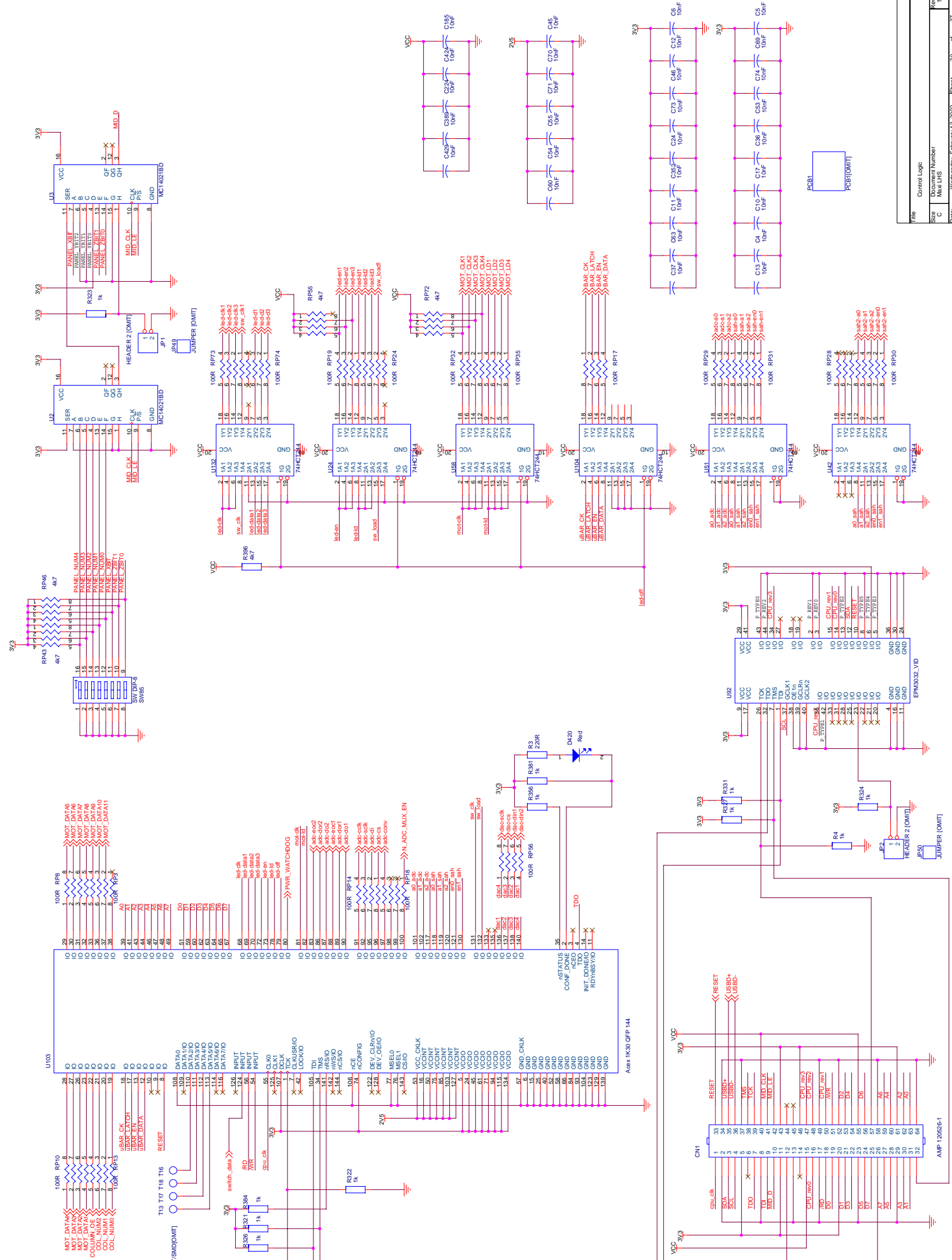


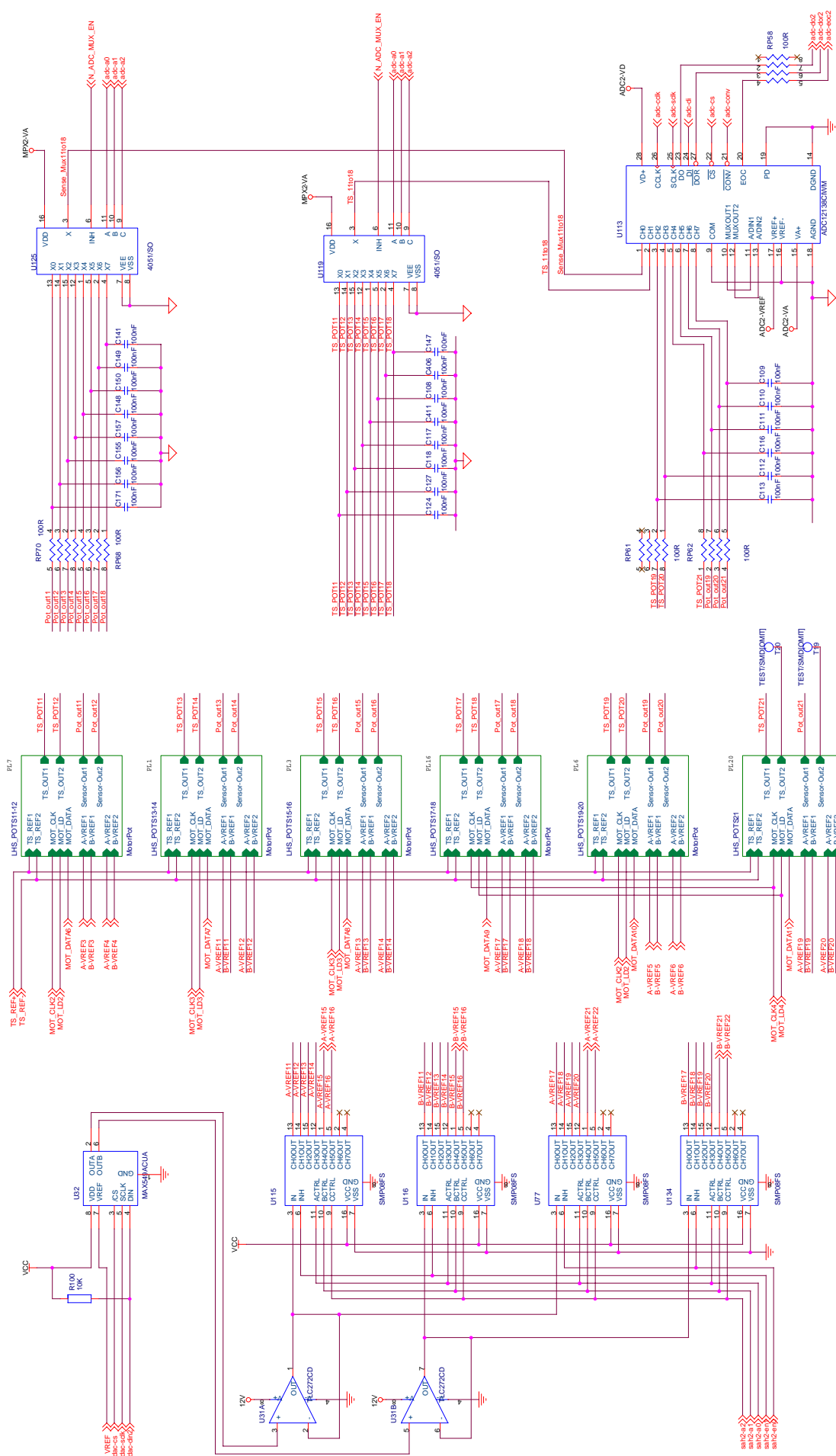
Rev	28	of	37
Rev			
Part	W0816507_Feb09_15_2022	Sheet	28
Doc	Component Number		
Proj	Cap Link		
Title	Power & Misc Circuits		



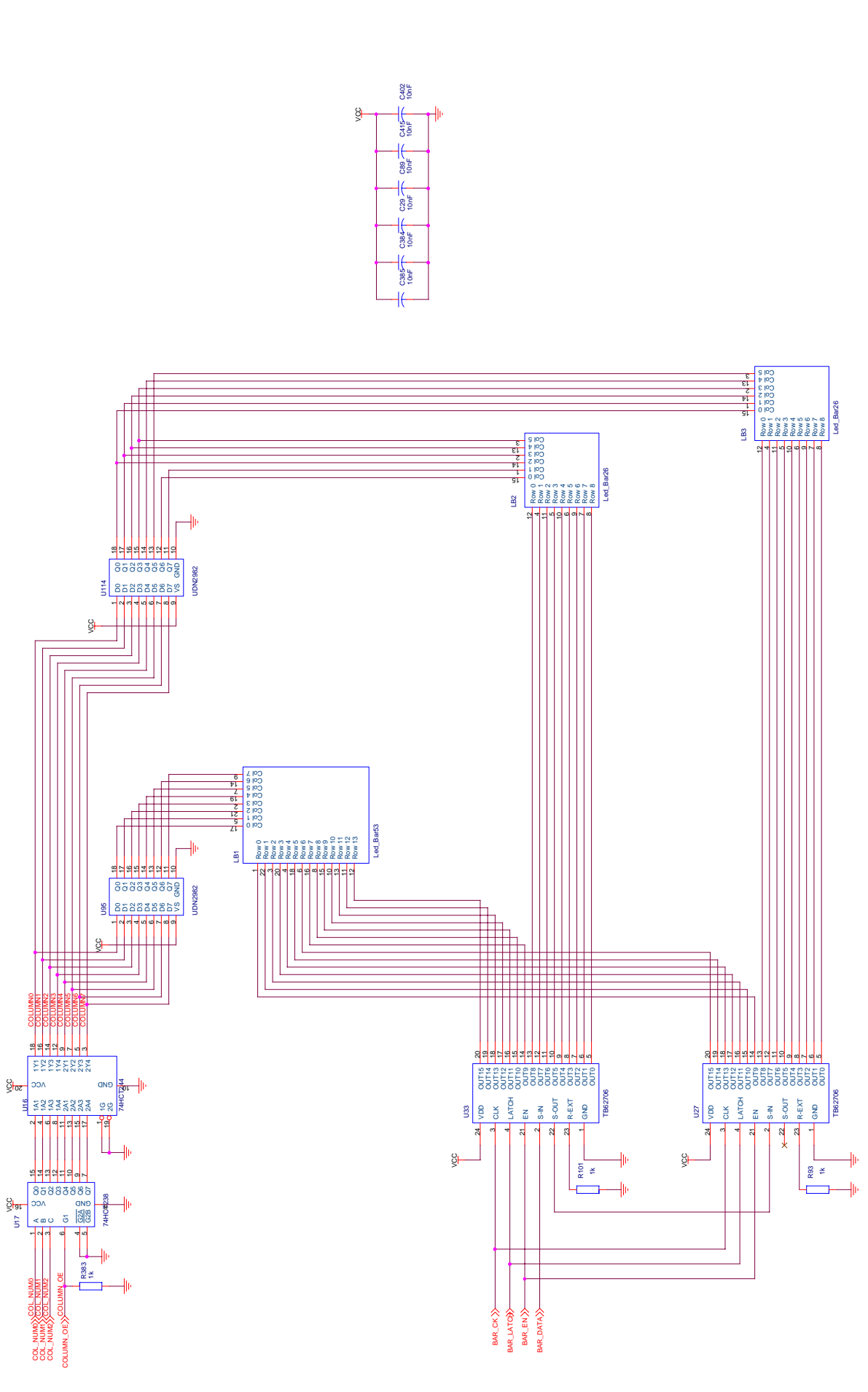
Power for POT pages 1 + 2

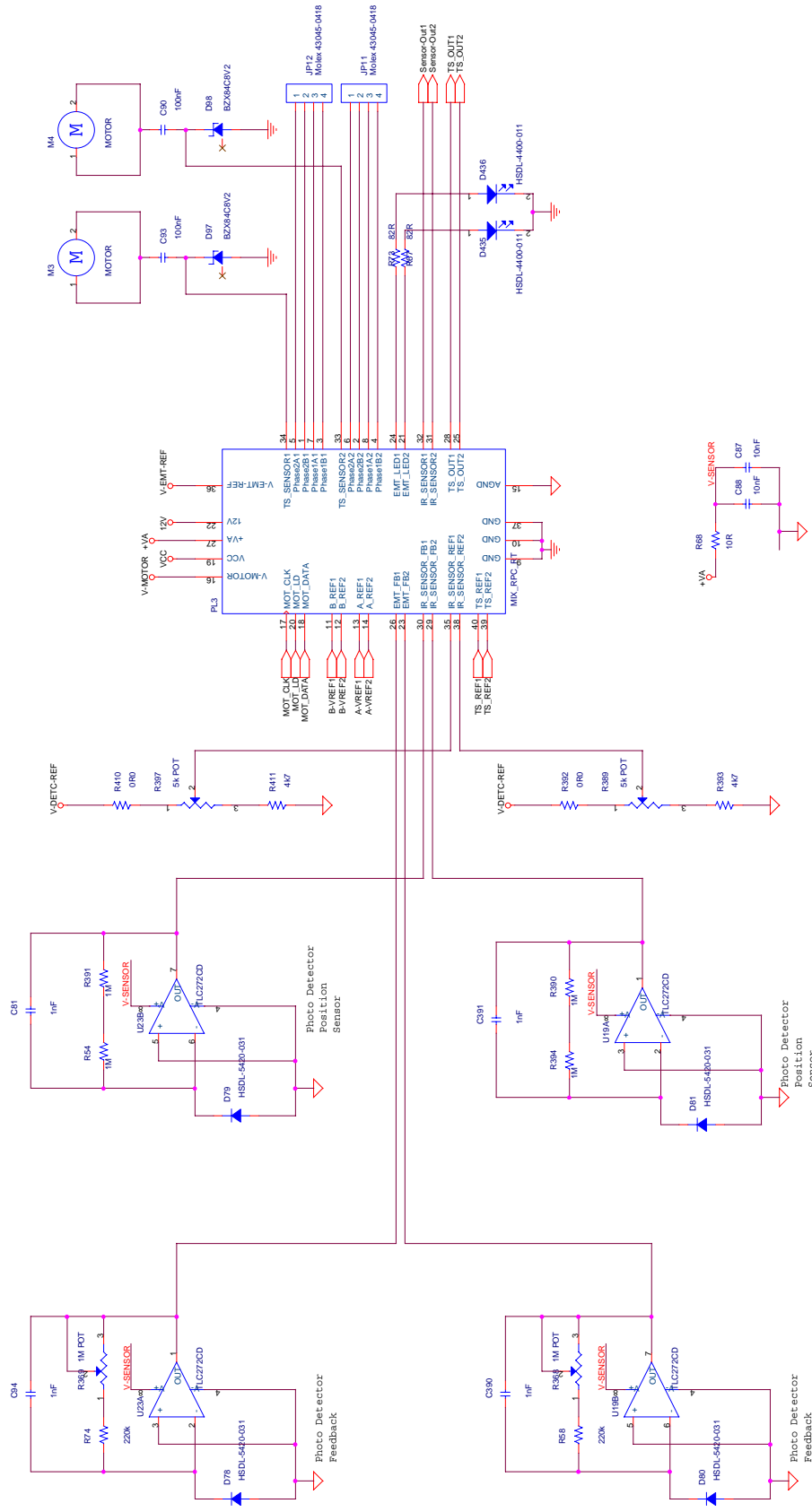
Title	Mixed Potentiometers
Sheet	23 of 37
Rev	
Author	Cap.L.H.
Date	Wednesday, February 15, 2012



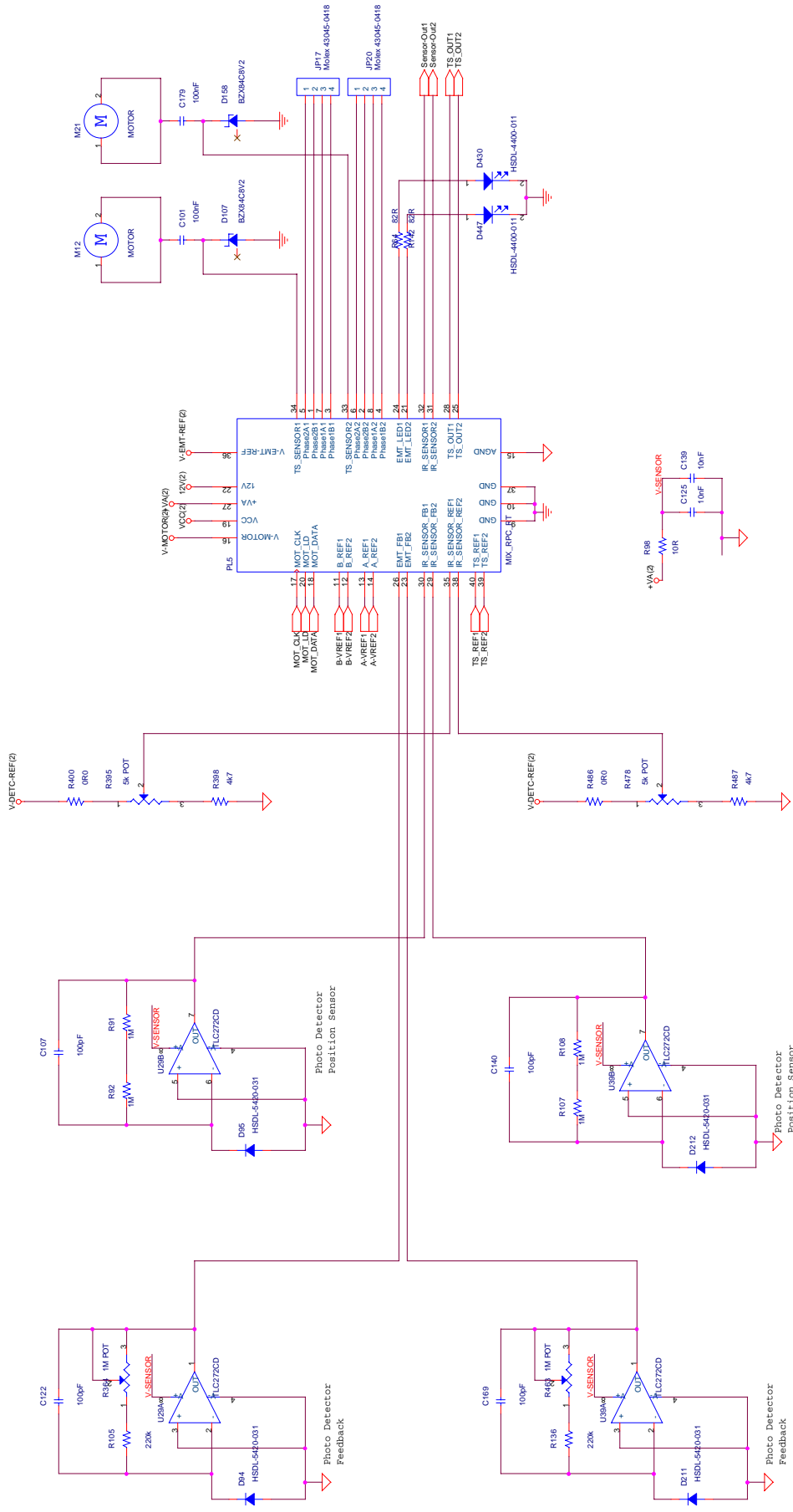


File	Motorised Pits
Size	Document Number
C	CAP LIS
Date:	Wednesday, February 13, 2002
Sheet	31 of 37

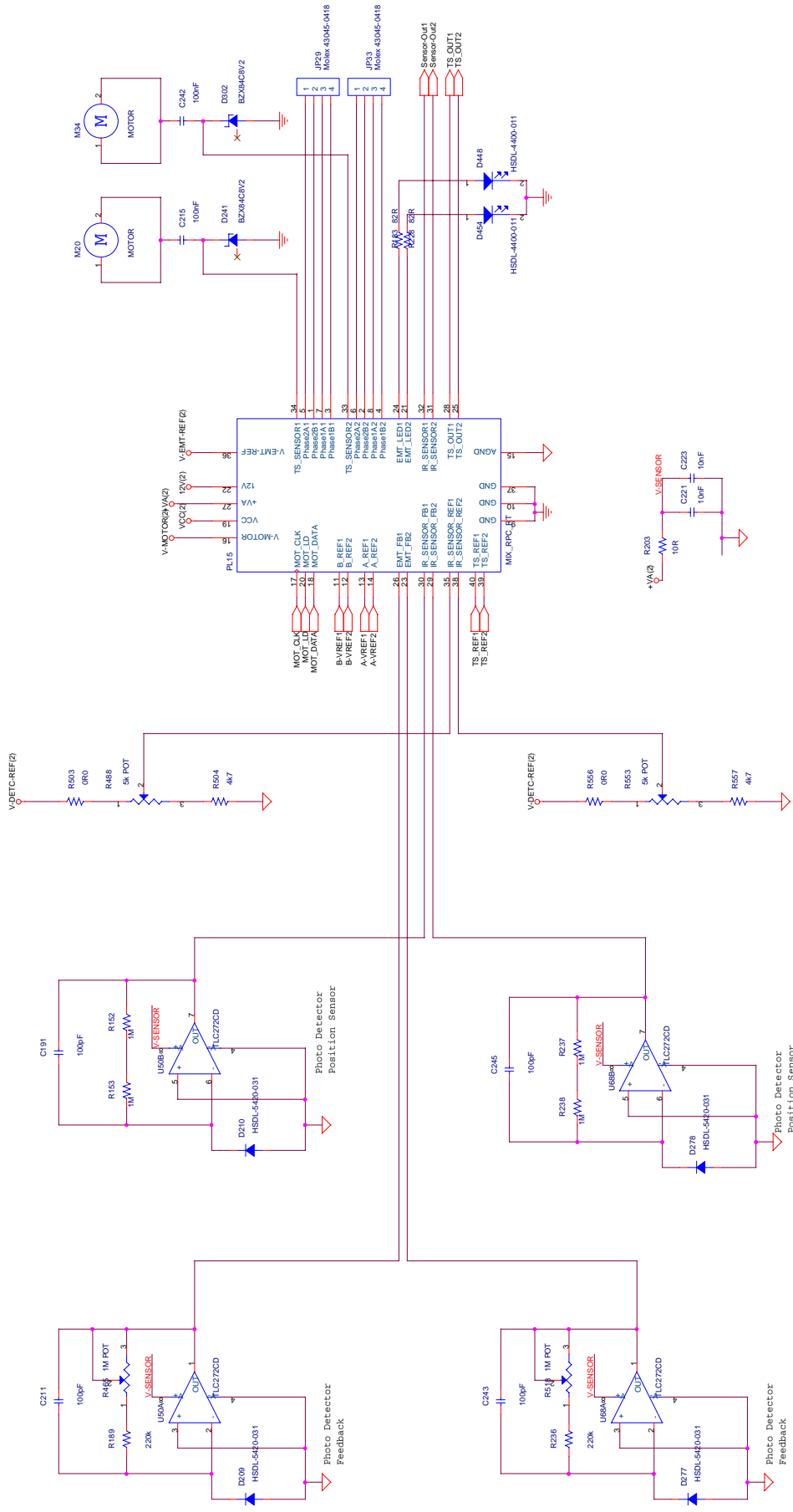




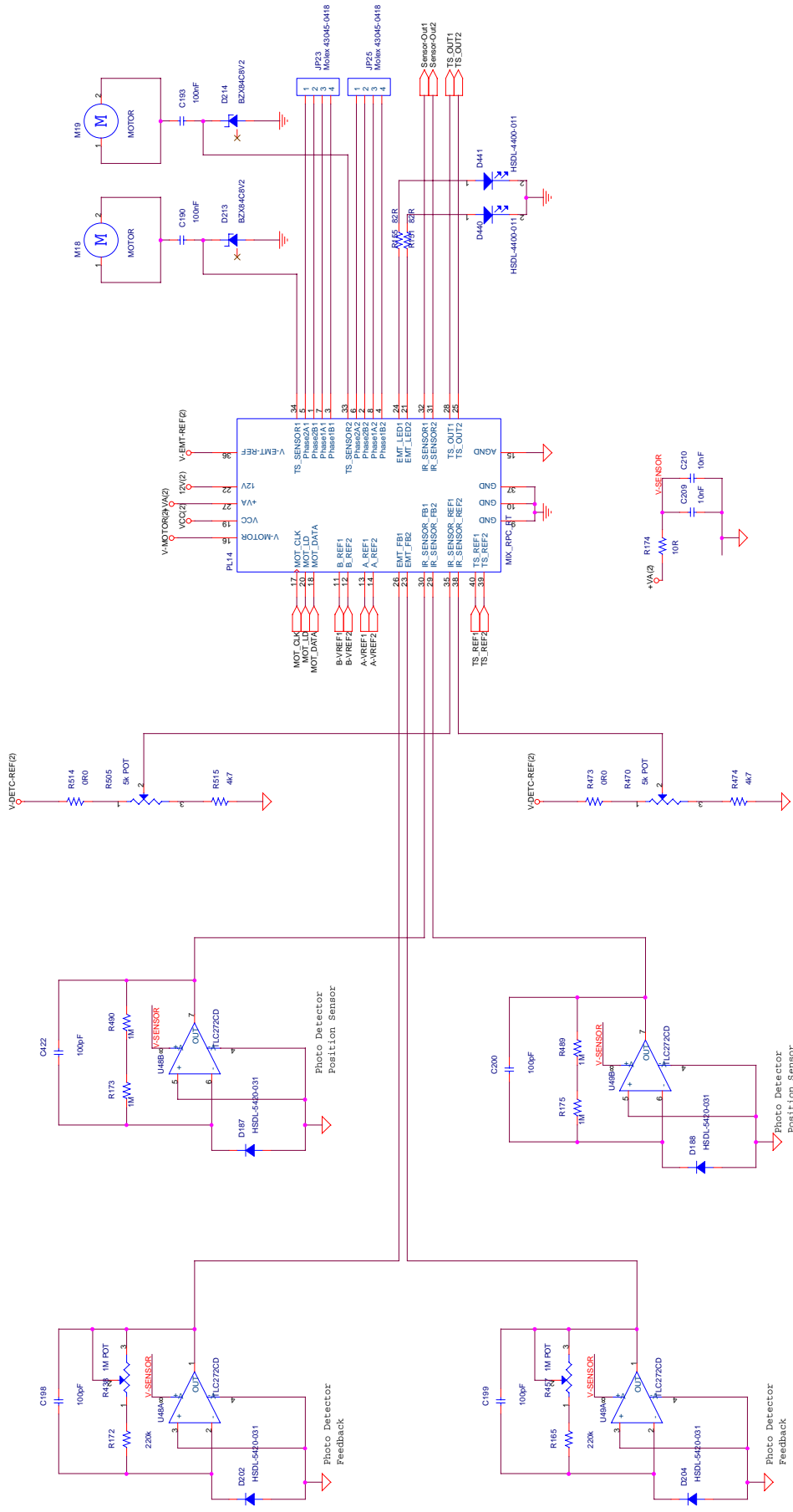
Title	Motored Potentiometer
Size	Sheeting Number
Rev	CAP.LIN
Date	Wednesday, February 15, 2023
Sheet	33 of 37



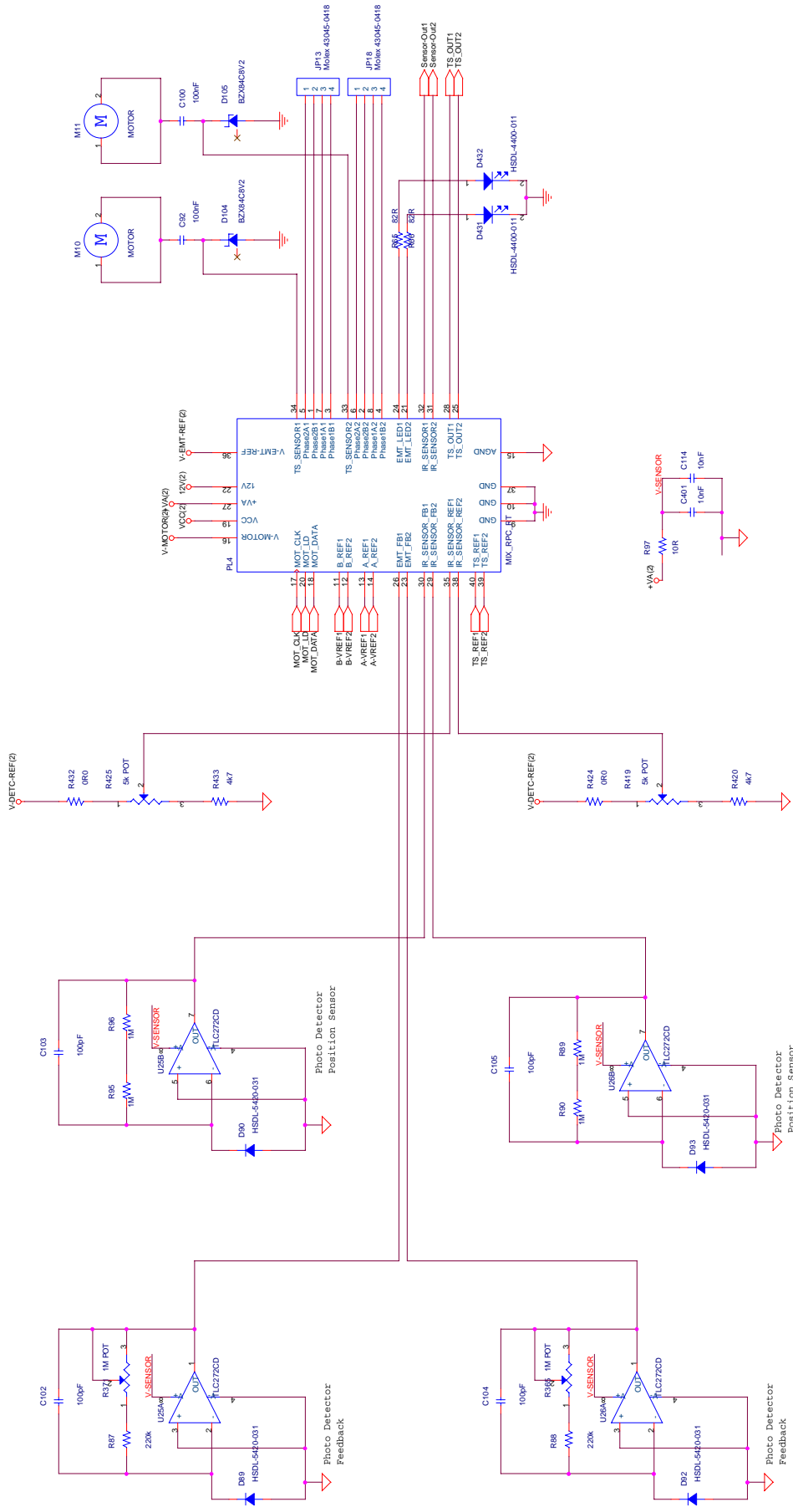
Title	Mkxipred Potentiometer
Scale	Sheet Number
Rev	CAP PINS
Date	Wednesday, February 15, 2023 8:58:11
	34 of 37



Title	Motored Potentiometer
Sheet	35 of 37
Revision	1
Author	CAJ PHS
Date	Wednesday, February 15, 2012 8:54:11



Title	Motored Potentiometer
Sheet	38 of 37
Revision Number	
Author	CAP PHS
Date	Wednesday, February 15, 2012 8:51:11 AM



Title	Motored Potentiometer
Size	Sheet Number
C	CAP PINS
Date	Wednesday, February 15, 2023 8:58:11 37 of 37